

# 4MP EXPLOSION PROOF PTZ CAMERA



**ENC-HPT7Z-44X-23**

## FEATURES

304 / 316L Stainless Steel Construction

44X Optical Zoom, 16X Digital Zoom

ONVIF Profile (S, G, T, M)

Quad Stream

Audio and Alarm Support

Wiper Support

ATEX/ IECEx/ CCoE (PESO) Certified

Applicable for GAS Zone 1, Zone 2, Class IIA, IIB, IIC

Applicable for Temperature Classes T1-T6

Applicable for Dust Zone 21, 22

IP68, PoE++



## SPECIFICATION

MODEL	Model No.	ENC-HPT7Z-44X-23
	Type	4MP EXPLOSION PROOF PTZ CAMERA
CAMERA	Image Sensor	1/1.8" CMOS Progressive 4.0 MegaPixel
	Day / Night	IR Cut Filter with Auto Switch
	Lens Type	Motorized Lens
	Focal Length	5 ~ 220mm (Optional 6 ~ 264mm)
	Focus	Auto / Semi Auto/ Manual
	Iris Type	P Iris (Optional DC Auto Iris), Auto/ Manual
	Angle of View (H)	82.4° ~ 2.1° (Optional 69.4° ~ 1.7°)
	Angle of View (V)	57.4° ~ 1.2° (Optional 51.2° ~ 1.0°)
	Angle of view (D)	95.8° ~ 2.4° (Optional 80.2° ~ 1.9°)
	Aperture Range	F1.68 ~ F5.0
	Optical Zoom	44X
	Digital Zoom	16X
	Electronic Shutter	1s ~ 1/100,000s, Auto / Manual
	Min. Illumination	Color: 0.001 lux @ F1.6, B/W: 0 lux with IR
	AGC	Auto / Manual
Digital Noise Reduction	2D & 3D DNR, Auto / Manual	
S/N Ratio	≥55 dB	
Defog	Smart Defog	
WDR	120 dB	

# 4MP EXPLOSION PROOF PTZ CAMERA



## ENC-HPT7Z-44X-23

<b>MODEL</b>	<b>Model No.</b>	<b>ENC-HPT7Z-44X-23</b>
	Type	4MP EXPLOSION PROOF PTZ CAMERA
<b>DORI</b>	Lens	5 ~ 220mm (Optional 6 ~ 264mm)
	Detection	120 ~ 5300 m (Optional 100 ~ 6100 m)
	Observation	48 ~ 2100 m (Optional 40 ~ 2400 m)
	Recognition	24 ~ 1050 m (Optional 20 ~ 1200 m)
	Identification	12 ~ 530m (Optional 10 ~ 610 m)
<b>VIDEO</b>	Max. Resolution	2592 x 1520
	Video Compression	Enhanced (H.265, H.264), H.265, H.264, MJPEG
	Frame Rate	Main Stream: (2592x1520, 2304x1296, 1920x1080, 1280x720) @25/30fps Sub Stream: (704x576, 640x480, 352x288) @ 25/30fps Third Stream: (640x480, 352x288, 320x240) @ 25/30fps Fourth Stream: (640x480, 352x288, 320x240) @ 25/30fps (Optional)
	Stream Settings	i-Frame, PAL/NTSC, Frame Rate, SVC
	EIS	Supported
	Video Bit Rate	100 kbps ~ 16 Mbps
	Bitrate Type	CBR, VBR
	Image Settings	Brightness, Contrast, Saturation, Sharpness, Day/Night (Color, Mono, Auto), Flip/Mirror/Rotation, Multiple Scene & Profile
	White Balance	Auto, Day / Night, Tungsten, Manual
	HLC	Supported
	BLC	Supported
	OSD	Up to 8 regions
	OSD Type	Title, Week, Date, Time, Text with different colors and adaptable sizes, Image overlay
	ROI	Up to 8 regions
	Privacy Mask	Up to 40 regions ( each scene up to 8 )
<b>AUDIO</b>	Audio Compression	G.711U, G.711A, RAW_PCM
	Audio Bit Rate	64Kbps, 128Kbps
	Audio I/O	1/1
<b>SMART</b>	Behavior Detection	Intrusion (Perimeter), Crossline (Tripwire), Double crossline ( Double Tripwire)
	Intelligent Identification	Abandoned object (Object Left), Missing Object (Object Lost), Loitering, Multi Loitering, Smoke Detection, Flame Detection
	Statistical Analysis	Face Detection , People Counting, Human & Vehicle Detection, Abnormal Video & Audio Detection, Wrong Way Detection, Illegal Parking, Tampering / Masking / Scene Change, Abnormal Speed
	Alarm Management	Motion Detection, Tampering (Masking), Input & Output Event, Network Alarm, Disk Alarm, Day Night Switch Alarm, Abnormal Audio Alarm, Pre/Post Alarm Recording, Alarm Recording/Snapshot
	Alarm Notifications	E-mail (Notification & Snapshot), HTTP (Alarm icon), FTP (Snapshot & Recording ), SD Card (Recording)
<b>INTERFACE</b>	Protocols	TCP/IP, UDP, IPv4, IPv6, ICMP, HTTP, HTTPS, FTP, DHCP, DNS, DDNS, RTP, RTSP, RTCP, PPPoE, NTP, UPnP, SMTP , IGMP, 802.1X, Unicast, Multicast, QoS, ARP, SFTP, SNMP, Telnet, SSL/TLS1.2
	Security	TLS 128 Encryption, IP Filter, User Authentication (Multiple Privilege Level), 802.1X Authentication (EAP-MD5), HTTPS Authentication, RTSP Authentication, Digest Authentication, User Access Log
	Compatibility	ONVIF (S, G, T, M) , SDK, CGI
	Network	1 x RJ45 10M/100M Self Adaptive Ethernet Port
	Alarm I/O	7/2
	Serial Interface	1xRS485
	Edge Storage	SD card slot, up to 1 TB
	ANR	Supported
	Built-in Heater	Supported
	Wiper	Supported
	Max. User	32
Client Application	EyeGuard	

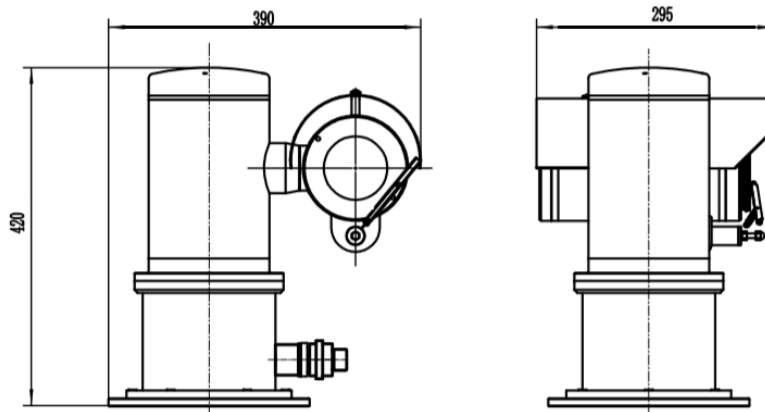
# 4MP EXPLOSION PROOF PTZ CAMERA



## ENC-HPT7Z-44X-23

MODEL		ENC-HPT7Z-44X-23
Type		4MP EXPLOSION PROOF PTZ CAMERA
PAN AND TILT	Pan Range	0° - 360°(Endless)
	Pan Speed	Pan Manual Speed: 0.1°/s ~ 45°/s, Pan Preset Speed: 45°/s
	Tilt Range	-90 ~ +90°
	Tilt Speed	Tilt Manual Speed: 0.1°/s ~ 45°/s, Tilt Preset Speed: 45°/s
	Preset Accuracy	±0.1°
	3D Position	Supported
	Cruise Scan	Supported
	Tour	12 (32 Preset per Tour)
	Pattern	6
	Preset	255
Resume function		Supported
GENERAL	Power Supply	AC 110V ~ 240V / 24V DC / 24V AC / PoE++ (802.3bt-Type 4)
	Max Power Consumption	≤75W (with thermostat)
	Working Temperature	-40°C ~ 70°C
	Working Humidity	≤95% RH (non-condensing)
	Atmospheric pressure	80 kPa ~ 120 kPa
	Window glass	Strong tempered glass
	Sun shade	Supported
	Ingress Protection	IP66, IP68(2m / 2h)
	Surge Protection	TVS6000V
	Reset Button	Supported
Dimensions		390x295x420 mm
Net Weight		40 kg

Dimension Unit : mm



# 4MP EXPLOSION PROOF PTZ CAMERA



**ENC-HPT7Z-44X-23**

## ORDERING INFORMATION

Part Number	Description	Standard Quantity
ENC-HPT7Z-44X-23	4MP SS316L (optional SS304) Explosion Proof IP PTZ Camera with 44X Optical Zoom, Wiper and SD Card Slot Support	1
ENB-BZPW68	Wall Mount Bracket for Norden Explosion / Corrosion Proof PTZ Camera	1
ENB-BZPH68	Corner Mount Bracket for Norden Explosion / Corrosion Proof PTZ Camera	1
ENB-BZPV68	Pole Mount Bracket for Norden Explosion / Corrosion Proof PTZ Camera	1
ENA-EXH010	1 Meter Explosion / Corrosion Proof Hose for Norden Explosion / Corrosion Proof Camera	1
ENA-EXH015	1.5 Meter Explosion / Corrosion Proof Hose for Norden Explosion / Corrosion Proof Camera	1
ENA-EXH020	2 Meter Explosion / Corrosion Proof Hose for Norden Explosion / Corrosion Proof Camera	1

## PACKING INFORMATION

Part Number	Packing Mode	Gross weight(Kg)	Dimension(mm)
ENC-HPT7Z-44X-23	Carton Box	-	-