

IP DUAL SENSOR THERMAL PTZ CAMERA



ENC-HPT7Z-55X-39

FEATURES

640x512 Uncooled Infrared Detector

Sensitivity $\leq 40\text{mK}$

100 mm Fixed Lens

20 Color Patterns Support

Electronic Image Stabilization

IP66



SPECIFICATION

MODEL	Model No.	ENC-HPT7Z-55X-39
	Type	IP DUAL SENSOR THERMAL PTZ CAMERA
THERMAL CAMERA	Detector Type	Uncooled VOx Focal Plane Arrays
	Effective Pixels	640x512 and Image can be scaled up to 1280x1024
	Pixel Size	12 μm
	Thermal Sensitivity (NETD)	$\leq 40\text{ mK}$
	Spectral Range	8 ~ 14 μm
	Spatial Resolution	0.120 mrad
THERMAL LENS	Color Palettes	White & Black Hot, Ironbow, Rainbow etc up to 20 modes
	Lens	Fixed
	Focus Control	Auto / Manual
	Focal Length	100 mm
	F No	F1.2
	Angle of View (H)	4.4°
	Angle of View (V)	3.5°
	Angle of View (D)	5.6°
	Detection	100 mm: Vehicle (1.4x1.4 m) - 12.8 km, Human (1.8x0.5 m) - 4.2 km
	Recognition	100 mm: Vehicle (1.4x1.4 m) - 3.2 km, Human (1.8x0.5 m) - 1.0 km
Identification	100 mm: Vehicle (1.4x1.4 m) - 1.6 km, Human (1.8x0.5 m) - 0.5 km	

★Product specification and availability are subject to change without notice.

►NORDEN® IP DUAL SENSOR THERMAL PTZ CAMERA - GB - Version: 2.2

www.nordencommunication.com

IP DUAL SENSOR THERMAL PTZ CAMERA



ENC-HPT7Z-55X-39

MODEL	Model No.	ENC-HPT7Z-55X-39
	Type	IP DUAL SENSOR THERMAL PTZ CAMERA
VISIBLE CAMERA	Image Sensor	1/1.8" CMOS Progressive 4.0 MegaPixel
	Day / Night	Auto / Manual
	Max Resolution	2688x1520
	Focal Length	6~336 mm
	Focus Control	Auto / Manual
	Angle of View (H)	66.0° ~ 1.3°
	Angle of View (V)	40.3° ~ 0.8°
	Angle of View (D)	77.3° ~ 1.5°
	Optical Zoom	55x
	Defog	Optical Defog
	Laser IR	Up to 3 Km
	Laser Spectral Range	905 nm
	WDR	Supported
	Detection	83 ~ 1458 m
Observation	33 ~ 557 m	
Recognition	17 ~ 292 m	
Identification	8 ~ 144 m	
VIDEO & AUDIO	Video Compression	H.265, H.264, MJPEG
	Frame Rate	Main Stream: Thermal: (1280x1024, 1024x768) @25fps; Visible: (2688x1520, 2560x1440, 1280x720)@30fps, (2688x1520, 2560x1440, 1920x1080) @25fps Sub Stream: Thermal: (640x512, 320x256) @25fps; Visible: (1920x1080, 1280x720, 704x480, 352x240) @30fps (1920x1080, 1280x720, 704x576, 352x288) @25fps
	EIS	Supported
	Bit Rate Type	CBR, VBR
	OSD	Supported
	Audio Compression	G.711A, G.711U, PCM_AAC
Audio I/O	1/1	
INTERFACE	Protocols	TCP/IP, UDP, ICMP, HTTP, HTTPS, FTP, DHCP, DNS, RTP, RTSP, RTCP, IGMP, SMTP, NTP, QoS
	Compatibility	ONVIF, SDK
	Network	1x RJ45 10M/100M Self Adaptive Ethernet Port
	Serial Interface	1xRS485
	Edge Storage	SD card slot, up to 512 GB
	Alarm I/O	1/1
	Wiper	Supported
Max.User	20	
SMART	Behaviour Detection	Intrusion (Perimeter), Crossline (Tripwire)
	Statistical Analysis	Infrared Video Analysis, Smoke and Fire Detection, Human & Vehicle Classification
	Alarm Management	SD Card Full Alarm, SD Card Error, Network Alarm, IP Address Conflict, Illegal Access
PAN AND TILT	Pan Range	0° ~ 360° (Endless)
	Pan Speed	Pan Manual Speed: 0.1° ~ 100°/s, Pan Preset Speed: 100°/s
	Tilt Range	-90° ~ +90°
	Tilt Speed	Tilt Manual Speed: 0.1° ~ 60°/s, Tilt Preset Speed: 60°/s
GENERAL	Power Supply	48V DC
	Max. Power consumption	≤300 W
	Working Temperature	-40 °C ~ 70 °C
	Working Humidity	≤90% RH
	Ingress Protection	IP66
	Surge Protection	TVS6000V
	Dimensions	623.6x398.5x350 mm
Weight	30 Kg	

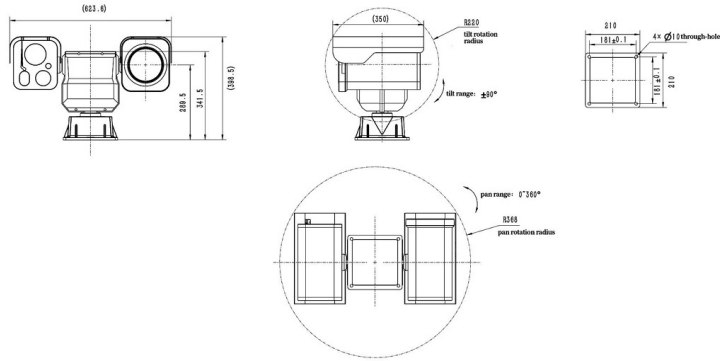
★Product specification and availability are subject to change without notice.

IP DUAL SENSOR THERMAL PTZ CAMERA



ENC-HPT7Z-55X-39

Dimension Unit : mm



ORDERING INFORMATION

Part Number	Description	Standard Quantity
ENC-HPT7Z-55X-39	4MP IP Dual Sensor Temperature Detection Thermal PTZ Camera with Visible Lens of 55X Optical Zoom and Thermal Imaging Camera with 640*512 Thermal Resolution and SD Card Slot Support	1

PACKING INFORMATION

Part Number	Packing Mode	Gross weight(Kg)	Dimension(mm)
ENC-HPT7Z-55X-39	Carton Box	-	-