

4x5MP MULTI SENSOR CAMERA



ENC-HVDHQ-40R-69

FEATURES

2.7 ~ 13.5 mm Motorized Lens

Smart IR up to 40 m

ONVIF Profile (S, G, T, M)

Audio and Alarm Support

Built-in Mic

PoE+, IK10, IP67



SPECIFICATION

MODEL	Model No.	ENC-HVDHQ-40R-69
	Type	4x5MP MULTI SENSOR CAMERA
CAMERA	Image Sensor	4Ch x 1/2.8" CMOS Progressive 5.0 MegaPixel
	Day / Night	IR Cut Filter with Auto Switch
	Lens Type	Motorized Lens
	Focal Length	2.7 ~ 13.5 mm
	Focus	Motorized
	Iris Type	DC Iris
	Angle of View (H)	95.6° ~ 26.9°
	Angle of View (V)	65.4° ~ 20.5°
	Angle of View (D)	115.8° ~ 33.8°
	Adjustment Angle	Pan -180° ~ 180°, Tilt 0 ~ 130°, Rotate 0 ~ 355°
	Aperture	F1.6
	Shutter	1s ~ 1/100,000s, Auto / Manual
	Min. Illumination	Color: 0.001 lux @ F1.6, B/W: 0.0001 lux, 0 lux with IR
	AGC	Auto / Manual
Digital Noise Reduction	2D & 3D DNR, Auto/Manual	
S/N Ratio	≥55 dB	
Defog	Smart Defog	
WDR	120 dB	
Smart IR	Up to 40 m	
Wavelength	850 nm	

★Product specification and availability are subject to change without notice.

4x5MP MULTI SENSOR CAMERA



ENC-HVDHQ-40R-69

MODEL	Model No.	ENC-HVDHQ-40R-69
	Type	4x5MP MULTI SENSOR CAMERA
VIDEO	Max. Resolution	2592x1944
	Video Compression	Enhanced (H.265, H.264), H.265, H.264, MJPEG
	Frame Rate	Main Stream: (2592x1944, 2592x1520, 1920x1080, 1280x720) @ 25/30fps Sub Stream: (704x576, 640x480, 352x288) @ 25/30fps Third Stream: (640x480, 352x288, 320x240) @ 25/30fps
	Stream Settings	i-Frame, PAL/NTSC, Frame Rate
	Video Bit Rate	100 kbps ~ 12 Mbps
	Bitrate Type	CBR, VBR
	Image Settings	Brightness, Contrast, Saturation, Sharpness, Gain and White Balance can be adjusted by software / browser
	White Balance	Auto, Day/Night, Tungsten, Manual
	Corridor Mode	Supported
	HLC	Supported
	BLC	Supported
	OSD	Up to 8 regions
	OSD Type	Title, Week, Date, Time, Text with different colors and adaptable sizes
	ROI	Up to 8 regions
Privacy Mask	Up to 4 regions	
AUDIO	Audio Compression	G.711A, G.711U, RAW_PCM
	Audio Bit Rate	64 kbps, 128 kbps
	Audio I/O	1/1
	Built-in Mic	Supported
	Two-Way Audio	Supported
SMART	Behavior Detection	Intrusion (Perimeter), Crossline (Tripwire), Double Crossline (Double Tripwire)
	Intelligent Identification	Loitering, Region Entry / Exit Detection
	Statistical Analysis	People Counting, Human & Vehicle Detection, Abnormal Audio Detection, Wrong Way Detection/Parking
	Alarm Management	Motion Detection, Tampering (Masking), Input & Output Event, Network Alarm, Disk Alarm, Day Night Switch Alarm, Abnormal Audio Alarm, Pre/Post Alarm Recording, Alarm Recording/Snapshot
	Alarm Notifications	E-mail (Notification & Snapshot), HTTP (Alarm icon), FTP (Snapshot & Recording), SD Card (Recording)
INTERFACE	Protocols	TCP/IP, UDP, IPv4, IPv6, HTTP, HTTPS, FTP, DHCP, DNS, DDNS, RTP/RTCP, RTSP, PPPoE, NTP, UPnP, SMTP (SSL/TLS), IGMP, 802.1x, QoS, Unicast, Multicast, SNMP, ARP
	Security	TLS Video Encryption, IP Filter, User Authentication (Multiple Privilege Level), 802.1X Authentication (EAP-MD5), HTTPS Authentication, RTSP Authentication, Digest Authentication, User Access Log
	Compatibility	ONVIF Profile (S, G, T, M), SDK, CGI
	Network	1 x RJ45 10M/100M Self Adaptive Ethernet Port
	Alarm I/O	4/2
	Serial Interface	1 x RS485
	Edge Storage	SD card slot, up to 1TB
	ANR	Supported
	Max. User	32
	Client Application	EyeGuard
GENERAL	Power Supply	12 DC, PoE+(IEEE 802.3 at)
	Max. Power Consumption	≤20W
	Working Temperature	-40 °C ~ 70 °C
	Working Humidity	≤95% RH (non-condensing)
	Ingress Protection	IP67
	Vandal Resistant	IK10
	Surge Protection	TVS6000V
	Dimensions	Φ282x206 mm
Net Weight	4 kg	

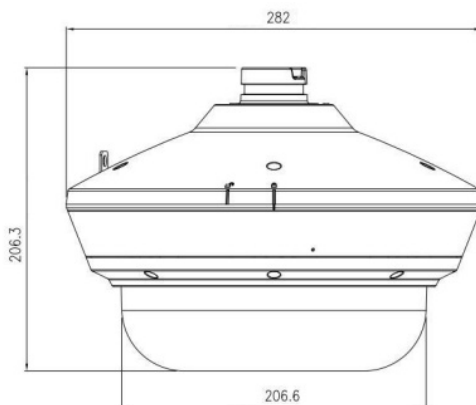
★Product specification and availability are subject to change without notice.

4x5MP MULTI SENSOR CAMERA



ENC-HVDHQ-40R-69

Dimension Unit : mm



ORDERING INFORMATION

Part Number	Description	Standard Quantity
ENC-HVDHQ-40R-69	20MP (5MP*4) IR IP H.265 Multi Sensor Camera with Four Directional View, 2.7 to 13.5 mm Motorized Lens, PoE, SD Card Slot, Built-in Mic and 40m IR Support	1

PACKING INFORMATION

Part Number	Packing Mode	Gross weight(Kg)	Dimension(mm)
ENC-HVDAQ-25R-20	Carton Box	-	-

★Product specification and availability are subject to change without notice.