

# 8MP EXPLOSION PROOF PTZ CAMERA



## ENC-HPTAZ-200R-23

### FEATURES

304 / 316L Stainless Steel Construction

40X Optical Zoom, 16X Digital Zoom

ONVIF Profile (S, G, T)

Triple Stream

Wiper Support

ATEX/ IECEx/ CCoE (PESO) Certified

Applicable for GAS Zone 1, Zone 2, Class IIA, IIB, IIC

Applicable for Temperature Classes T1-T6

Applicable for Dust Zone 21, 22



### SPECIFICATION

MODEL	Model No.	ENC-HPTAZ-200R-23
	Type	8MP EXPLOSION PROOF PTZ CAMERA
CAMERA	Image Sensor	1/1.8" CMOS Progressive 8.0 MegaPixel
	Day / Night	IR Cut Filter with Auto Switch
	Lens Type	Motorized Lens
	Focal Length	6~240 mm (optional 5~200 mm)
	Focus	Auto / Semi Auto / Manual
	Iris Type	DC Auto Iris
	Angle of View (H)	61.8° ~ 1.7° (Optional 71.4° ~ 2.1°)
	Angle of View (V)	34.9° ~ 0.9° (Optional 40.3° ~ 1.1°)
	Angle of View (D)	70.9° ~ 1.9° (Optional 81.9° ~ 2.3°)
	Aperture Range	F1.6 ~ F4.9
	Optical Zoom	40x
	Digital Zoom	16x
	Shutter	1s to 1/100,000s, Auto / Manual
	Min. Illumination	Color: 0.001 lux @ F1.6, B/W: 0 lux with IR on
AGC	Auto / Manual	
Digital Noise Reduction	2D & 3D DNR, Auto / Manual	
S/N Ratio	≥50 dB	
Defog	Smart Defog	
WDR	120 dB	
Smart IR	Up to 200m	

★Product specification and availability are subject to change without notice.

# 8MP EXPLOSION PROOF PTZ CAMERA



## ENC-HPTAZ-200R-23

MODEL	Model No.	ENC-HPTAZ-200R-23
	Type	8MP EXPLOSION PROOF PTZ CAMERA
DORI	Lens	6~240 mm (optional 5~200 mm)
	Detection	136.0 ~ 5000.0 m (Optional 77.6 ~ 3413.8 m)
	Observation	54.4 ~ 2000.0 m (Optional 31.0 ~ 1365.8 m)
	Recognition	27.2 ~ 1000.0 m (Optional 15.5 ~ 682.8 m)
	Identification	13.6 ~ 500.0 m (Optional 7.8 ~ 341.4 m)
VIDEO	Max. Resolution	3840x2160
	Video Compression	Enhanced (H.265, H.264), H.265, H.264, MJPEG
	Frame Rate	Main Stream: (3840x2160, 2592x1520, 2304x1296, 1920x1080, 1280x720) @ 25/30 fps Sub Stream: (704x576, 640x480, 352x288) @ 25/30fps Third Stream: (640x480, 352x288, 320x240) @ 25/30fps
	Stream Settings	i-Frame, PAL/NTSC, Frame Rate, EIS
	Video Bit Rate	100 kbps ~ 16 Mbps
	Bitrate Type	CBR, VBR
	Image Settings	Brightness, Contrast, Saturation, Sharpness, Day/Night (Color, Mono, Auto), Flip/Mirror/Rotation, Multiple Scene & Profile
	White Balance	Auto, Day / Night, Tungsten, Manual
	HLC	Supported
	BLC	Supported
	OSD	Supported
	ROI	Up to 8 regions
	Privacy Mask	Up to 40 regions ( each scene up to 8)
AUDIO	Audio Compression	G.711U, G.711A, RAW_PCM
	Audio I/O	1/1
	Audio Bit Rate	64 Kbps, 128 Kbps
SMART	Behavior Detection	Intrusion (Perimeter), Crossline (Tripwire), Double crossline ( Double Tripwire)
	Intelligent Identification	Abandoned object (Object Left), Missing Object (Object Lost), Loitering, Multi Loitering
	Statistical Analysis	Face Detection , People Counting, Human & Vehicle Detection, Abnormal Video & Audio Detection, Wrong Way Detection, Illegal Parking
	Alarm Management	Motion Detection, Tampering (Masking), Input & Output Event, Network Alarm, Disk Alarm, Day Night Switch Alarm, Abnormal Audio Alarm, Pre/Post Alarm Recording, Alarm Recording/Snapshot
	Alarm Notifications	E-mail (Notification & Snapshot), HTTP (Alarm icon), FTP (Snapshot & Recording ), SD Card (Recording)
INTERFACE	Protocols	TCP/IP, UDP, IPv4, IPv6, ICMP, HTTP, HTTPS, FTP, DHCP, DNS, DDNS, RTP, RTSP, RTCP, PPPoE, NTP, UPnP, SMTP , IGMP, 802.1X, Unicast, Multicast, QoS, ARP, SNMP, Telnet, SSL/TLS1.2
	Security	TLS 128 Encryption, IP Filter, User Authentication (Multiple Privilege Level), 802.1X Authentication (EAP-MD5), HTTPS Authentication, RTSP Authentication, Digest Authentication, User Access Log
	Compatibility	ONVIF (S, G, T) , SDK, CGI
	Network	1 x RJ45 10M/100M Self Adaptive Ethernet Port
	Alarm Interface	1 Input / 1 Output
	Serial Interface	1xRS485
	CVBS output	Supported
	Edge Storage	SD card slot, up to 512 GB
	ANR	Supported
	Buil-in Heater	Supported
	Max User	32
Client Application	EyeGuard	
Wiper	Supported	

★Product specification and availability are subject to change without notice.

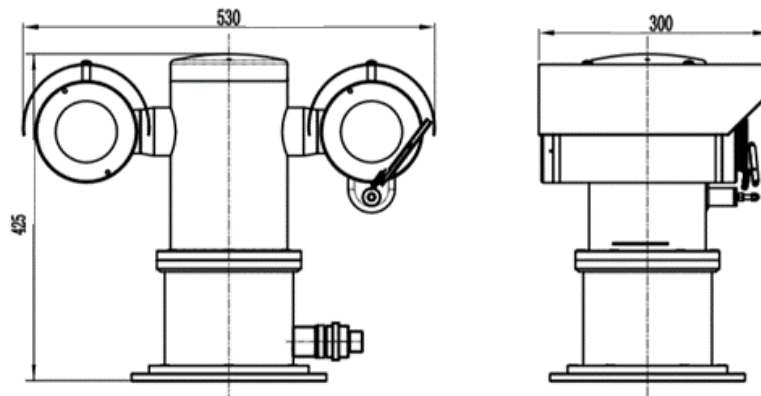
# 8MP EXPLOSION PROOF PTZ CAMERA



## ENC-HPTAZ-200R-23

<b>MODEL</b>	<b>Model No.</b>	<b>ENC-HPTAZ-200R-23</b>
	Type	8MP EXPLOSION PROOF PTZ CAMERA
<b>PAN AND TILT</b>	Pan Range	360° (Endless)
	Pan Speed	Pan Manual Speed: 0.1°/s ~ 45°/s, Pan Preset Speed: 45°/s
	Tilt Range	-90 ~ +90°
	Tilt Speed	Tilt Manual Speed: 0.1°/s ~ 45°/s, Tilt Preset Speed: 45°/s
	Preset Accuracy	±0.1°
	3D Position	Supported
	Cruise Scan	Supported
	Tour	12 (32 Preset per Tour)
	Pattern	6
	Preset	255
	Resume function	Supported
<b>GENERAL</b>	Power Supply	AC 110V ~ 240V / 24V DC / 24V AC / PoE++ (802.3bt-Type 4)
	Max. Power Consumption	75W (with thermostat)
	Working Temperature	-40 °C ~ 70 °C
	Working Humidity	0-95% RH (non-condensing)
	Atmospheric pressure	80 kPa ~ 120 kPa
	Window glass	Strong tempered glass
	Sun shade	Supported
	Ingress Protection	IP66, IP68
	Surge Protection	TVS6000V
	Reset Button	Supported
	Dimensions	530x300x425 mm
Net Weight	45 kg	

Dimension Unit : mm



# 8MP EXPLOSION PROOF PTZ CAMERA



**ENC-HPTAZ-200R-23**

## ORDERING INFORMATION

Part Number	Description	Standard Quantity
ENC-HPTAZ-200R-23	8MP SS316L (optional SS304) Explosion-Proof IR IP PTZ Camera with 40X Optical Zoom, Wiper, SD Card Slot and 200m IR Support	1
ENB-BZPW68	Wall Mount Bracket for Norden Explosion / Corrosion Proof PTZ Camera	1
ENB-BZPH68	Corner Mount Bracket for Norden Explosion / Corrosion Proof PTZ Camera	1
ENB-BZPV68	Pole Mount Bracket for Norden Explosion / Corrosion Proof PTZ Camera	1
ENA-EXH010	1 Meter Explosion / Corrosion Proof Hose for Norden Explosion / Corrosion Proof Camera	1
ENA-EXH015	1.5 Meter Explosion / Corrosion Proof Hose for Norden Explosion / Corrosion Proof Camera	1
ENA-EXH020	2 Meter Explosion / Corrosion Proof Hose for Norden Explosion / Corrosion Proof Camera	1
ENA-EXH030	3 Meter Explosion / Corrosion Proof Hose for Norden Explosion / Corrosion Proof Camera	1

## PACKING INFORMATION

Part Number	Packing Mode	Gross weight(Kg)	Dimension(mm)
ENC-HPTAZ-200R-23	Carton Box	-	-