

HYBRID FAST CONNECTOR

FIBRE CONNECTOR SPECIFICATION

FEATURES

Quick, easy installation.
 High quality Zirconia PC ferrule.
 900 micron, 2mm, 3mm cable applications.
 Telcordia-style strain and relief boot.

STANDARDS COMPLIANCE

UL-V0 flammability rating
 TIA/EIA-568-C.3 (Optical Fibre Cabling Components Standard)
 ANSI/TIA/EIA-455B (Standard Test Procedure for Standard Fibre Optic Fibres, Cables, Connecting & Terminating Devices)
 IPC-8497-1 (Cleaning Methods & Contamination Assessment for Optical Assembly)

DESIGN & MATERIALS

	LC	FC	SC
Connector Ferrule	PEI	Zinc Alloy	PBT
Alignment Sleeve	Ceramic	Ceramic	Ceramic
Connector Body	PEI	Zinc Alloy	Zinc Alloy
Crimp Insert/Crimp Tube	Aluminium	Ceramic	Aluminium
Dust Cap	PP	LDPE	LDPE
Connector Style	SC, FC, ST, LC		
Polish	PC, UPC & APC		

ENVIRONMENTAL & MECHANICAL DATA

Operating Temperature	-20°C~+75°C
Storage Temperature	-20°C~+75°C
Temperature Cycling (61300-2-18)	-20°C~+75°C
High Temperature (61300-2-18)	75°C
Vibration-Mated Pair (61300-2-1)	1000times
Mating Durability (61300-2-2)	1000times

OPTICAL PERFORMANCE DATA

Item	Single mode			Multimode		
	PC	UPC	APC	62.5/125	50/125	50/125 10G
Insert Loss/connector (single Fibre)	≤0.3dB			≤0.3dB		
Return Loss	≥ 50 dB	≥ 50 dB	≥ 60 dB	≥ 35 dB	≥ 35 dB	≥ 35 dB
Insert Loss/MTRJ Connector	≥ 50 dB	≥ 50 dB	≥ 60 dB	≥ 35 dB	≥ 35 dB	≥ 35 dB
Pull Strength	70 N	70 N	70 N	70 N	70 N	70 N

HYBRID FAST CONNECTOR

HYBRID FAST CONNECTOR

Norden hybrid fast connectors are factory pre-polished, field-installable connectors that completely eliminate the need for hand polishing in the field. These hybrid fast connectors are compatible with 0.9 mm tight buffer, 2 mm & 3 mm drop cable. This connector during the installation process does not require any adhesive and curing process. It is possible to rework so can be reduced the defect rate by worker's connection error.



COMPLIANCE

ANSI/TIA-568-C.3
ANSI/TIA-604-3 (SC), -10A(LC) Connector Intermateability Standards.
Meets GR-326; General Requirements for Single Mode Connectors.

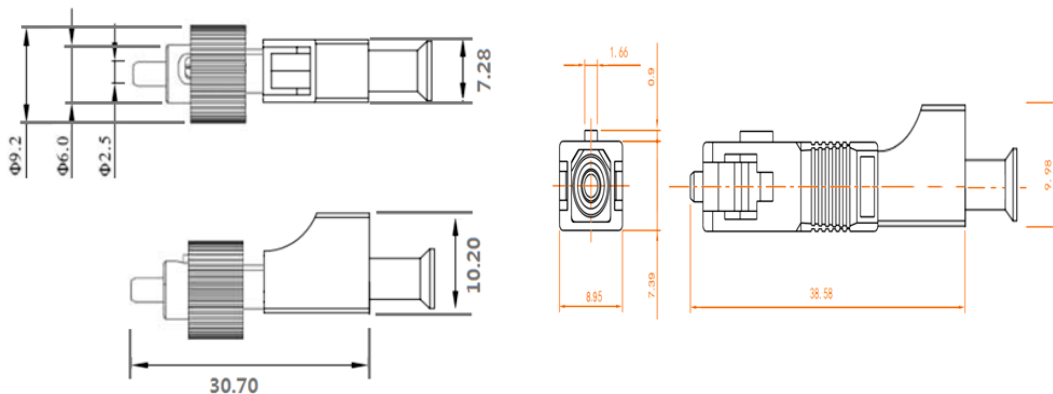
FEATURES

- Low insertion loss
- High corrosion resistance
- High interface performance
- High return loss
- Easy to handle
- Environmentally stable

APPLICATIONS

Telecom network
Ethernet network

DRAWING



*Drawing only for reference

SPECIFICATIONS

Fibre Diameter	125 μ m
Fibre Mode	Single Mode
Temperature	-20°C ~ +75°C
Colour	Green (APC), Blue (UPC)

HYBRID FAST CONNECTOR

ORDERING INFORMATION

Part Number	Description
37-HSCLCOM32	SC/UPC - LC/UPC Multimode OM3 Simplex Hybrid Fast Connector
37-HSCLCOS22	SC/UPC - LC/UPC Singlemode OS2 Simplex Hybrid Fast Connector
37-HFCLCOM32	FC/UPC - LC/UPC Multimode OM3 Simplex Hybrid Fast Connector
37-HFCLCOS22	FC/UPC - LC/UPC Singlemode OS2 Simplex Hybrid Fast Connector