

## NVS-DC600157JB

# Connecting Box for Embedded Units



### DESCRIPTION

The NVS-DC600157JB serves as a professional connecting box, allowing embedded speaking units and voting units to share the same ID number. By enabling units to share a unique ID, it facilitates seamless integration between speaking and voting functions. The NVS-DC600157JB can be seamlessly integrated with the NVS-DC600013CH conference system, creating a comprehensive solution for high-quality conferences

### FEATURES

- ◉ A connector designed for integrating a speech unit and a voting unit into a system.
- ◉ The embedded chairman unit and voting unit can utilize a shared ID number to achieve integrated functionality for both voting and speaking.
- ◉ A single audio interface box can accommodate two ID numbers and facilitate the connection of two sets of speech units and voting units.
- ◉ Enable "hand-in-hand" connection method where the failure or replacement of one extension does not impact the operation of other extension.
- ◉ Equipped with an automatic repair feature, it supports "hot plug" functionality for the line.
- ◉ With 8-pin-DCN standard plug
- ◉ Working voltage: DC24V, powered by the conference host

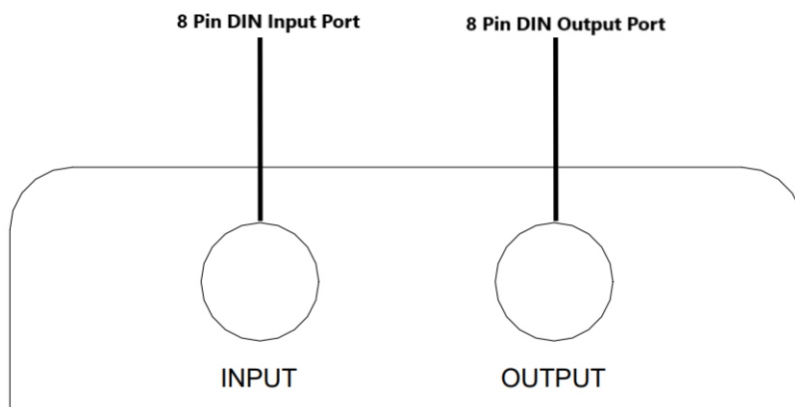
### Specifications

Model	NVS-DC600157JB
System Interface	4- RJ45, 8P-DCN
Maximum Power Consumption	2W
Static Power Consumption	1W
Power Supply	DC24V
Dimensions (L×W×H)	140×210×36 mm
Net Weight	0.75kg

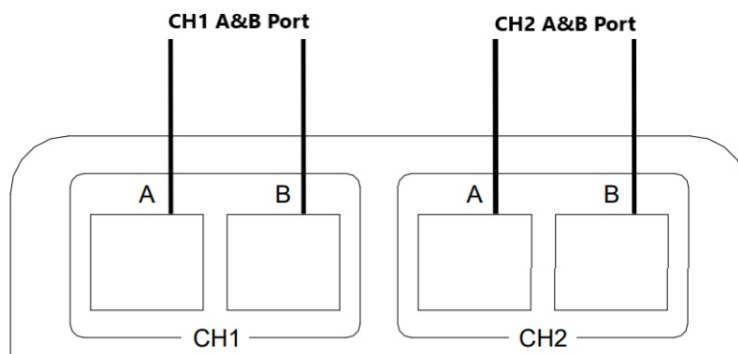
**NVS-DC600157JB**

# Connecting Box for Embedded Units

## FRONT PANEL



## REAR PANEL



## ORDERING INFORMATION

Part Number	Description	Standard Quantity
NVS-DC600157JB	Connecting Box for Embedded Units	1

## ACCESSORIES INFORMATION

Description	Standard Quantity
2m 8-core dual male cable	1
Semi-round head cross self-tapping bright black	4
Certificate	1
Warranty Card	1
User Manual	1