

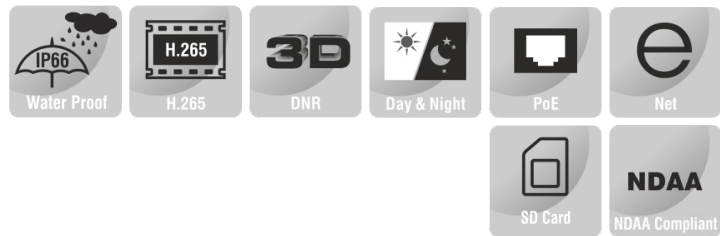
5MP MINI PTZ DOME CAMERA



ENC-HHP8Z-00R-66

FEATURES

15X Optical Zoom
16X Digital Zoom
ONVIF Profile (S, G, T)
Triple Stream
PoE, IP67



SPECIFICATION

MODEL	Model No.	ENC-HHP8Z-00R-66
	Type	5MP MINI PTZ DOME CAMERA
CAMERA	Image Sensor	1/2.8" CMOS Progressive 5.0 MegaPixel
	Day/Night	IR Cut Filter with Auto Switch
	Lens Type	Motorized
	Focal Length	5.3 ~ 79.5 mm
	Focus	Auto / Semi Auto / Manual
	Iris	Auto / Manual
	Angle of View (H)	58.2 ° ~ 4.8°
	Angle of View (V)	34.0 ° ~ 2.8°
	Angle of View (D)	67.4 ° ~ 5.0°
	Aperture Range	F1.6 ~ F2.8
	Optical Zoom	15X
	Digital Zoom	16X
	Zoom Speed	<2.5s
	Shutter	1s ~ 1/100,000s, Auto / Manual
	Min. Illumination	Color: 0.001 lux @ F1.6, B/W: 0.0001 lux with IR
	AGC	Auto / Manual
Digital Noise Reduction	2D/3D DNR	
S/N Ratio	≥55 dB	
Defog	Smart Defog	
WDR	120 dB	
Wavelength	850 nm	

★Product specification and availability are subject to change without notice.

5MP MINI PTZ DOME CAMERA



ENC-HHP8Z-00R-66

MODEL	Model No.	ENC-HHP8Z-00R-66
	Type	5MP MINI PTZ DOME CAMERA
DORI	Lens	5.3 ~ 75 mm
	Detection	106 ~ 1340.0 m
	Observation	42.4 ~ 536 m
	Recognition	21.2 ~ 268 m
	Identification	10.6 ~ 134 m
VIDEO	Max. Resolution	2592x1944
	Video Compression	Enhanced (H.265, H264), H.265, H.264, MJPEG
	Frame Rate	Main Stream: (2592×1944, 2592×1520, 1920×1080, 1280×720) @ 25/30fps Sub Stream: (704×576, 640×480, 352×288) @ 25/30fps Third Stream: (640×480, 352×288, 320×240) @ 25/30fps
	Stream Settings	i-Frame, PAL/NTSC, Frame Rate, EIS
	Video Bit Rate	100 kbps ~ 12 Mbps
	Bitrate Type	CBR, VBR
	Image Settings	Brightness, Contrast, Saturation, Sharpness, Day/Night, Mirror/Flip
	White Balance	Auto, Day/Night, Tungsten, Manual
	HLC	Supported
	BLC	Supported
	OSD	Up to 8 regions
	OSD Type	Title, Week, Date, Time, Text with different colors and adaptable sizes, Image overlay
	ROI	Up to 8 regions
	Privacy Mask	Up to 40 regions (each scene up to 8)
SMART	Behavior Detection	Intrusion (Perimeter), Crossline (Tripwire), Double Crossline (Double Tripwire)
	Intelligent Identification	Loitering, Flame and Smoke Detection
	Statistical Analysis	Face Detection, People Counting, Human & Vehicle Detection, Wrong Way Detection, Illegal Parking
	Alarm Management	Motion Detection, Tampering (Masking), Network Alarm, Disk Alarm, Day Night Switch Alarm, Pre/Post Alarm Recording, Alarm Recording/Snapshot
	Alarm Notification	E-mail (Notification & Snapshot), HTTP (Alarm icon), FTP (Snapshot & Recording), SD Card (Recording)
	Auto Tracking	Supported
INTERFACE	Protocols	TCP/IP, UDP, IPv4, IPv6, ICMP, HTTP, HTTPS, FTP, DHCP, DNS, DDNS, RTP/RTSP/RTCP, PPPoE, NTP, UPnP, SMTP, IGMP, 802.1X, QoS, Unicast, Multicast, ARP, SNMP, SSL/TLS 1.2
	Security	TLS Video Encryption, IP Filter, User Authentication (Multiple Privilege Level), 802.1X Authentication (EAP-MD5), HTTPS Authentication, RTSP Authentication, Digest Authentication, User Access Log
	Compatibility	ONVIF Profile (S, G, T), SDK/CGI
	Network	1 x RJ45 10M/100M Self Adaptive Ethernet Port
	Edge Storage	SD card slot, up to 512 GB
	ANR	Supported
	Max User	32
PAN AND TILT	Client Application	EyeGuard
	Pan Range	0° ~ 360° (Endless)
	Pan Speed	Pan Manual Speed: 0.1~200°/s, Pan Preset Speed: 200°/s
	Tilt Range	0° ~ +90° (Auto Flip)
	Tilt Speed	Tilt Manual Speed: 0.1° ~ 160°/s, Tilt Preset Speed: 160°/s
	Preset Accuracy	±0.2°
	Number of Presets	300
	Power off Recovery	Supported
	3D Position	Supported
	PTZ Mode	6 Track, 12 Scan, 12 Patrol (Up to 32 Presets per Patrol)
PTZ Status Display	Supported	

★Product specification and availability are subject to change without notice.

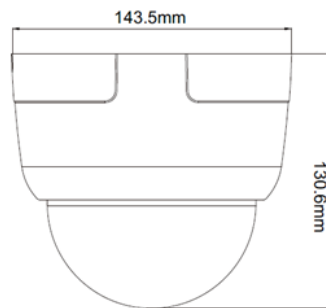
5MP MINI PTZ DOME CAMERA



ENC-HHP8Z-00R-66

MODEL		ENC-HHP8Z-00R-66
Type		5MP MINI PTZ DOME CAMERA
GENERAL	Power Supply	12V DC, PoE (IEEE 802.3af)
	Max, Power Consumption	≤12 W
	Working Temperature	-20 °C ~ 50 °C
	Working Humidity	≤95% RH (non-condensing)
	Ingress Protection	IP67
	Surge Protection	TVS4000V
	Reset Button	Supported
	Dimensions	φ143.5x130.6 mm
Net Weight	1.15 Kg	

Dimension Unit : mm



ORDERING INFORMATION

Part Number	Description	Standard Quantity
ENC-HHP8Z-00R-66	5MP IP H.265 Mini PTZ Dome Camera with 15X Optical Zoom, PoE, SD Card Slot, WDR and Smart Analytics	1

PACKING INFORMATION

Part Number	Packing Mode	Gross weight(Kg)	Dimension(mm)
ENC-HHP8Z-00R-66	Carton Box	-	-

★Product specification and availability are subject to change without notice.