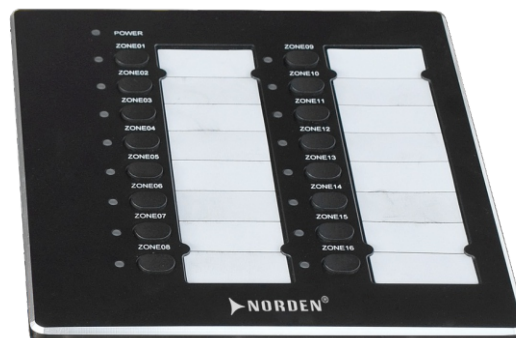


NVS-5007EX16EV

16 Zones Extension For Evacuation Paging Microphone



DESCRIPTION

The NVS-5007EX16EV is a 16 Zones Extension For Evacuation Paging Microphone for NVS-5003PM16EV.

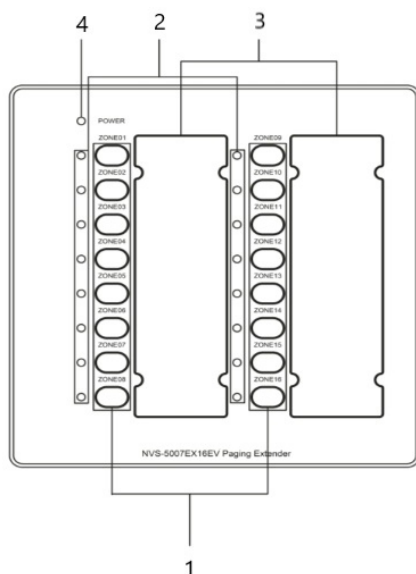
FEATURES

- ⊙ 16 configurable buttons
- ⊙ Support key custom grouping function
- ⊙ With RJ45 interface

Specifications

Model	NVS-5007EX16EV
Phantom Power Supply	(12~24)V/0.1A
Interface	RJ45
Weight	1Kg
Dimension	166×161×54mm

FRONT PANEL

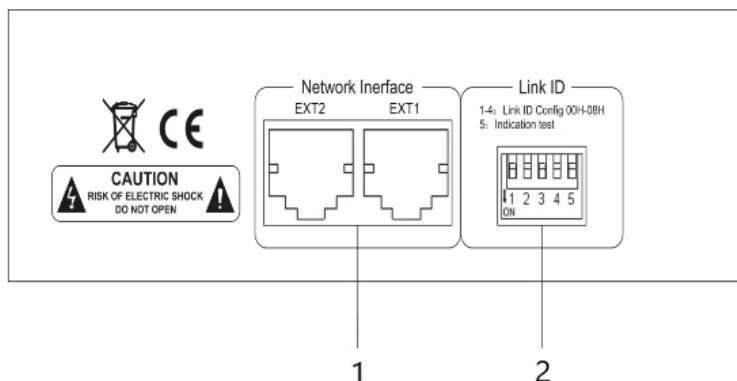


1. Zone/Group selector
2. Zone/Group selector and work status indicator
3. Zone/Group information note
4. Power indicator

NVS-5007EX16EV

16 Zones Extension For Evacuation Paging Microphone

REAR PANEL



1. Equipment network interface
2. Equipment ID configuration switch

ORDERING INFORMATION

Part Number	Description	Standard Quantity
NVS-5007EX16EV	16 Zones Extension For Evacuation Paging Microphone	01

ACCESSORIES INFORMATION

Description	Standard Quantity
Cross recessed countersunk head screws White/3x5	04
Connectors	02
Certificate	01
Warranty card	01