

5MP FISHEYE DOME CAMERA



ENC-HD08H-30R-92

FEATURES

1.4 mm Fixed Lens
Smart IR up to 30 m
ONVIF Profile (S, G, T)
Triple Stream
Audio & Alarm Support
PoE



SPECIFICATION

MODEL		ENC-HD08H-30R-92
Type		5MP FISHEYE DOME CAMERA
CAMERA	Sensor	1/2.7", CMOS Progressive 5.0 MegaPixel
	Day/Night	IR Cut Filter with Auto Switch
	Focal Length	1.4 mm
	Lens Mount	M12
	Focus	Fixed
	Angle of View (H)	180°
	Angle of View (V)	180°
	Angle of View (D)	180°
	Aperture Range	F2.0
	Shutter	1s ~ 1/100,000s
	Minimum Illumination	Color: 0.01 lux @ F2.0; B/W:0 lux with IR
	AGC	Auto / Manual
	Digital Noise Reduction	3D DNR
	S/N Ratio	≥55 dB
	Defog	Smart Defog
WDR	120 dB	
Smart IR	Up to 30 m	
Wavelength	850 nm	

★Product specification and availability are subject to change without notice.

5MP FISHEYE DOME CAMERA



ENC-HDO8H-30R-92

MODEL	Model No.	ENC-HDO8H-30R-92
	Type	5MP FISHEYE DOME CAMERA
DORI	Lens	1.4 mm
	Detection	24m
	Observation	9m
	Recognition	7.8m
	Identification	2.5m
VIDEO	Max. Resolution	2592x1944
	Video Compression	Enhanced (H.265, H.264), H.265, H.264, MJPEG
	Frame Rate	Main Stream: (2592x1944, 2560x1440, 1920x1080, 1280x720) @ 25/30fps Sub Stream: (704x576, 640x360, 704x288, 352x288) @ 25/30fps Third Stream: (1920x1080, 1280x720) @ 25/30fps
	Display Mode	Fisheye View, Fisheye+3PTZ, Fisheye+4PTZ, Fisheye+8PTZ, Panorama, 180° Panorama, Panorama +3PTZ, Panorama +4PTZ, Panorama +8PTZ, 360° Panorama + 1PTZ, 360° Panorama + 6PTZ
	Stream Settings	i-Frame, PAL/NTSC, Frame Rate, SVC
	Video Bit Rate	32Kbps ~ 8Mbps
	Bit Rate Type	CBR, VBR
	Image Settings	Brightness, Contrast, Saturation, Hue, Sharpness, Rotation/Mirror, Gain, Exposure, Day/Night
	White Balance	Auto, Semi Auto, Sunshine, Daylight, Warm Light, Filament, Nature Light, Lock WB, Manual
	HLC	Supported
	BLC	Supported
	OSD	Up to 5 Regions
	OSD Type	Title, Week, Date, Time, Text with different colors and adaptable sizes (16x16, 32x32, 48x48, 64x64, 96x96), Image overlay
	ROI	Up to 8 Regions
	Privacy Mask	Up to 4 Regions
	Heatmap	Supported
	AUDIO	Audio Compression
Audio Bit Rate		8Kbps, 32 kbps, 48Kbps
Audio I/O		1/1
Audio Voltage		Input:Level5V, Impedance 1500 ohms Output: Level 3V, Output Impedance 100 ohms
Built-in Mic		Supported
SMART	Behavior Detection	Intrusion (Perimeter), Crossline (Tripwire), Double Crossline (Double Tripwire)
	Intelligent Identification	N/A
	Statistical Analysis	N/A
	Alarm Management	Motion Detection, Mask Alarm, IP Address Conflict
	Alarm Notifications	E-mail (Notification and Snapshot), HTTP (Alarm Icon), FTP (Snapshot and Recording), SD Card (Recording)
INTERFACE	Protocols	TCP/IP, UDP, IPv4 ,IPv6, ICMP, HTTP, HTTPS, DHCP, DNS, DDNS, RTCP, RTSP, RTMP, PPPoE, NTP, UPnP, SMTP, IGMP, 802.1X, Unicast, Multicast, QoS , ARP, SNMP, SSH
	Security	AES Video Encryption, IP Filter, User Authentication (Multiple Privilege Level), 802.1X Authentication (EAP-MD5), HTTPS Authentication, Digest Authentication, User Access Log
	Compatibility	ONVIF (Profile S, G, T), SDK, CGI
	Network	1 x RJ45 10M/100M Self Adaptive Ethernet Port
	Alarm I/O	1/1
	Serial Interface	N/A
	Built-in Speaker	N/A
	Edge Storage	Micro SD card slot, up to 512 GB
	ANR	Supported
	Remote Connection	≤7
GENERAL	Client Application	EyeConnect
	Web Language	16
	Power	12V DC, PoE (802.3af)
	Max. Power consumption	11W(12V), 11.6W(PoE)
	Working Temperature	-10°C ~ +50°C
	Working Humidity	≤95% RH
	Reset Button	Supported
Dimensions	122mmx39 mm	

★Product specification and availability are subject to change without notice.

5MP FISHEYE DOME CAMERA

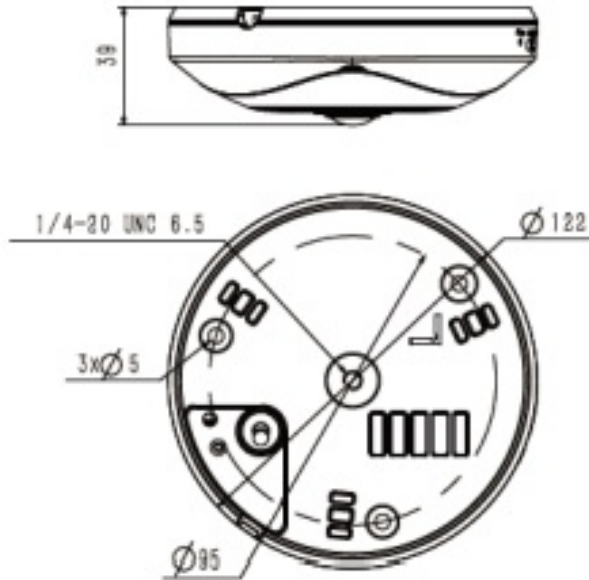


ENC-HDO8H-30R-92

Weight

0.26 kg

Dimension Unit : mm



ORDERING INFORMATION

Part Number	Description	Standard Quantity
ENC-HDO8H-30R-92	5MP IR IP H.265 Hemispheric Dome camera with 1.4mm Fixed Fisheye Lens, PoE, SD card slot, Built-in Mic and 30m IR Support	1

PACKING INFORMATION

Part Number	Packing Mode	Gross weight(Kg)	Dimension(mm)
ENC-HDO8H-30R-92	Carton Box	0.42	138x138x110