

# PTZ conference Camera 10x optical zoom 2.10MP HDMI, SDI & USB



## DESCRIPTION

The NVS-UC600045CA is a PTZ conference Camera with 10x optical zoom 2.4MP HDMI, SDI and USB. Even in low light or the extreme contrast of brightness and darkness in a conference room, the superior 10x optical zoom lens, outstanding white balance, and exposure mode delivers a clear image. The camera covers a wide shooting angle and achieves a high speed, quiet, and precise positioning with smooth PTZ options. Medium-sized conference rooms are best suited for the 10x zoom with HDMI and SDI. It works with the majority of major video conferencing platforms and software.

## FEATURES

- ◉ Crystal clear HD1080P image quality
- ◉ Sleek and intelligent design
- ◉ Accurate, smooth and silent PTZ Movement
- ◉ 10x optical zoom
- ◉ USB & HDMI & SDI 3 video outputs
- ◉ 51.8° wide field of view with no video distortion
- ◉ 1/2.9 inch high quality, 2.10MEGA PIXEL (16:9) CMOS sensor
- ◉ Support ceiling mount, wall mount and tripod mount (Reverse mountable)
- ◉ Support Visca, Pelco-P, and Pelco-D protocol, RS232/RS485 Camera Control

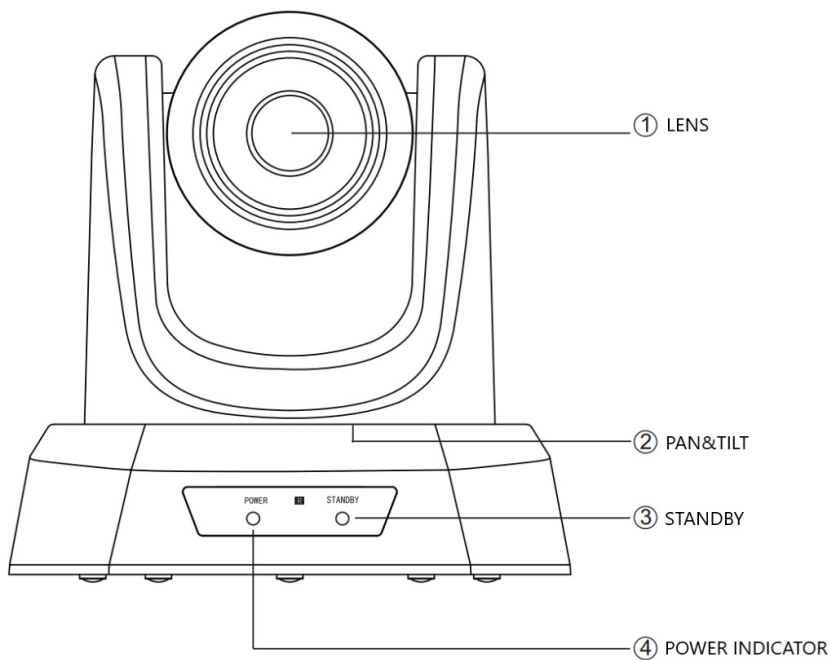
## Specifications

Model	NVS-UC600045CA
Image Sensor	1/2.9 inch SONY CMOS
Effective Pixel	2.38 mega pixel (16:9)
Horizontal Resolution	1080P60/50/30/25fps, 720P60/50/30/25fps
Signal Standard	NTSC/PAL
Zoom	10x zoom
Minimal Illumination	0.1Lux
Focal Length	F=4.34mm-35.17mm
Horizontal View Angle	Near end 68.8° ~ Far end 8.8°

# PTZ conference Camera 10x optical zoom 2.10MP HDMI, SDI & USB

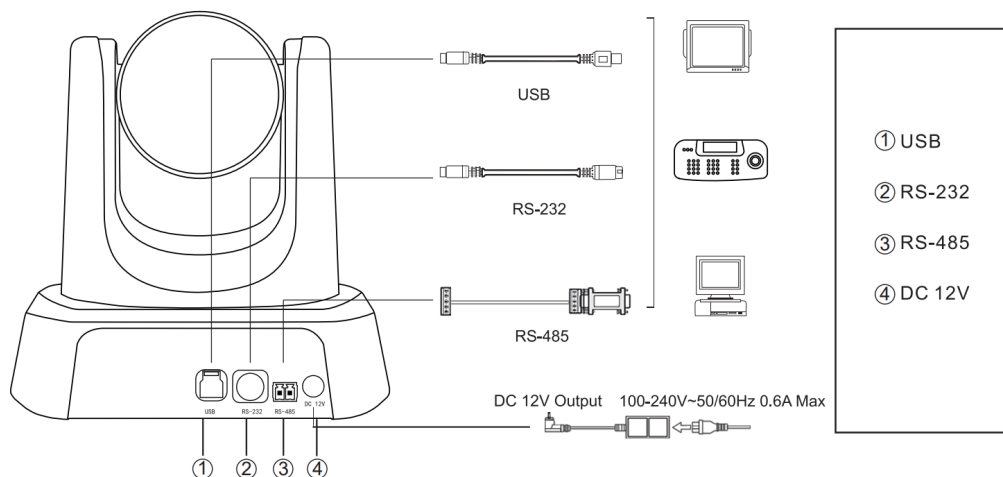
Gain Control	Auto/Manual
Signal to Noise Ratio	≥50dB
Preset Position	User can set up to 255 presets (10 presets by IR remote)
Pan/Tilt Movement Range	Pan: 350°(±175°) (Max speed 0.1°/s~100°/s) Tilt: 90°(±45°)(Max speed 0.1°/s~80°/s)
Shutter	1/30s~1/10000s, auto
Aperture	F1.85~Close
Control Terminal	RS-232, RS-485
Control Protocol	VISCA, PELCO-D, PELCO-P (RS-232, RS-485)
Usb Protocol	UVC1.1
Video Output	USB2.0, HDMI, SDI
Video Encoding Format	H.264, H.265, MJPEG, YUV2
Noise Reduction	2D/3D
Baud Rate	2400/4800/9600/38400bps
Decoder	Built-in
Address Set	1-64
Installation	Support desktop, Tripod, Wall mount and Ceiling mount
Operating Temperature	-10°C~50°C
Operating Humidity	-20°C~60°C
Power Consumption	12W
Power Supply	DC 12V/2A
Weight	1.5Kg
Dimension	181x184x174mm/257x220x198mm (before / after packing)

## FRONT PANEL



# PTZ conference Camera 10x optical zoom 2.10MP HDMI, SDI & USB

## REAR PANEL



## ORDERING INFORMATION

Part Number	Description	Standard Quantity
NVS-UC600045CA	PTZ conference Camera 10x optical zoom 2.3MP HDMI, SDI & USB	01

## ACCESSORIES INFORMATION

Description	Standard Quantity
Remote Control	1
3M USB Cable	1
DC 12V Power Adapter	1
Wall Mount Bracket	1
Mounting Screws	4
User Manual	1