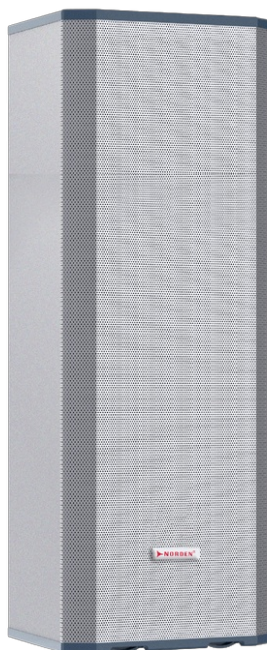


# IP/SIP Column Speaker 60W

IP Based PA System



## DESCRIPTION

NVS-IP100019SP is an IP based column loud speaker with an IPX5 rating that may be utilize outside for applications such as public address, music streaming, pre-recorded message transmission, and scheduled announcements. It's best used in parks, playgrounds, and outdoor plazas. It is an all-in-one design, integrated with network audio decoding, digital amplifier and loud speaker unit.

## FEATURES

- ◉ All-in-one design integrating network audio decoding, digital amplification, and a loudspeaker unit
- ◉ External audio source connectivity via a line input interface
- ◉ Mobile phone Bluetooth compatibility for music streaming
- ◉ Fully compliant with standard SIP protocols for seamless integration with top SIP PBX systems like Asterisk, Cisco, and Yeastar
- ◉ Web-based parameter configuration and remote firmware upgrade support

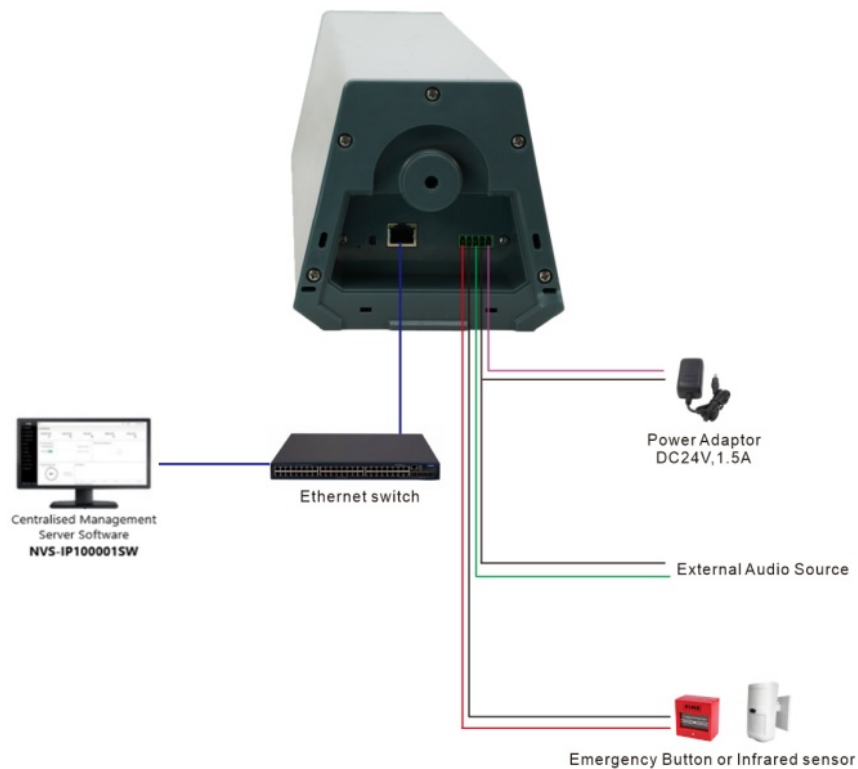
Specifications	
<b>Model</b>	<b>NVS-IP100019SP</b>
Power Supply	DC24V, 2.7A
Standby Power Consumption	≤2W
Power Output	60W (DC24V)
Audio Codec	G711u/a, G722 (ADPCM), PCM, MP3
Audio Sampling & Bit Rate	8kHz~44.1kHz, 16bit, 16kbps~320kbps
Signal to Noise Ratio	≥83dB
Frequency Response	45Hz-18KHz (±3dB)
Sensitivity (1M/1W)	87dB
Network Interface	10BASE-T/100BASE-TX RJ45
Network Protocol	TCP/IP(IPv4), UDP, HTTP, SIP
Configuration Method	Web Interface

## NVS-IP100019SP

# IP/SIP Column Speaker 60W

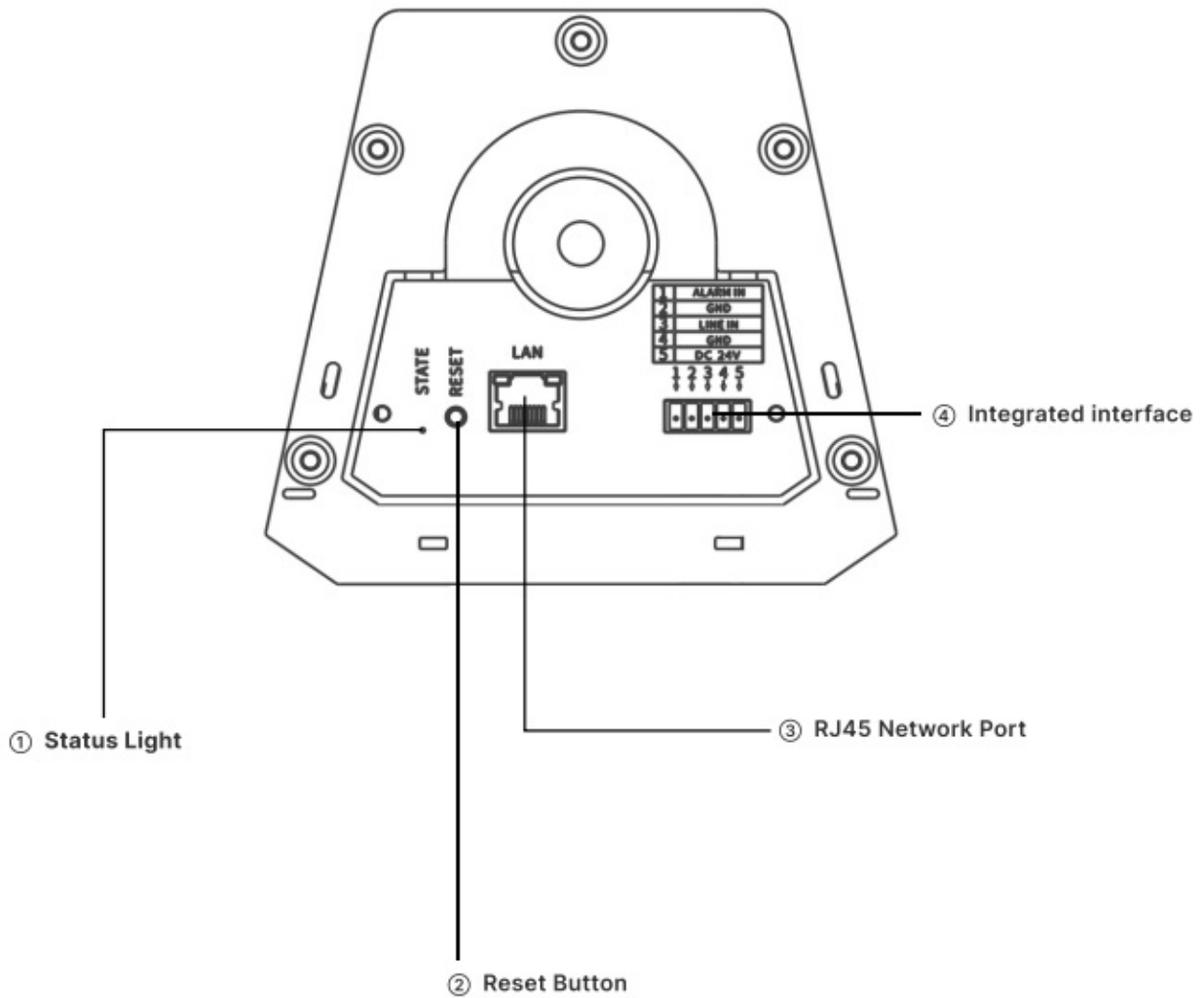
Mounting Method	Wall Mounted
Installation Environment	Outdoor Locations
Operating Temperature	-10°C~+55°C
Operating Humidity	<90% RH Non Condensing
Shell Colour & Material	White & Aluminium Alloy
Net Colour & Material	White & Steel
Net Surface Treatment	Powder Spraying
Bracket Material	Steel
Protection Level	IPX5
Product Dimensions	436x140x130 mm
Product Weight	2.65 Kg

## CONNECTION DIAGRAM



# IP/SIP Column Speaker 60W

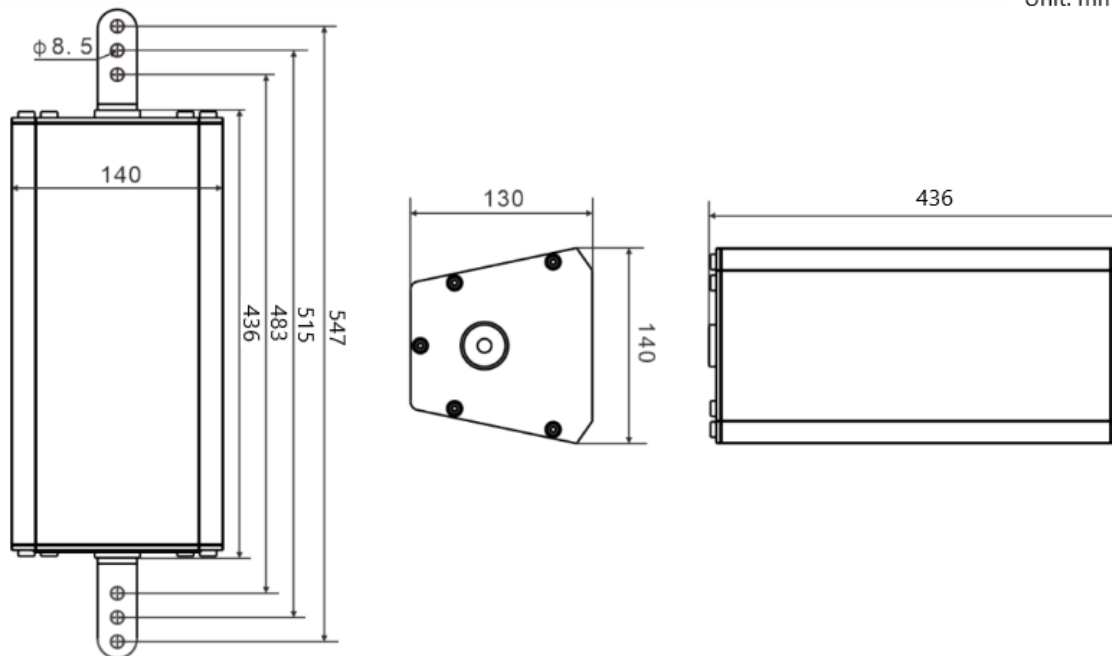
## Input Connection



# IP/SIP Column Speaker 60W

## DIMENSION

Unit: mm



## ORDERING INFORMATION

Part Number	Description	Standard Quantity
NVS-IP100019SP	IP/SIP Column Speaker 60W	01

## ACCESSORIES INFORMATION

Description	Standard Quantity
Quick Installation Guide	01
Certificate and warranty	01
Extension Board	01
Screw (M8*14)	03
Mounting Bracket	02
Terminal (3.5-5P)	01
Screw Nut (M8)	01
Gasket (M8)	01