

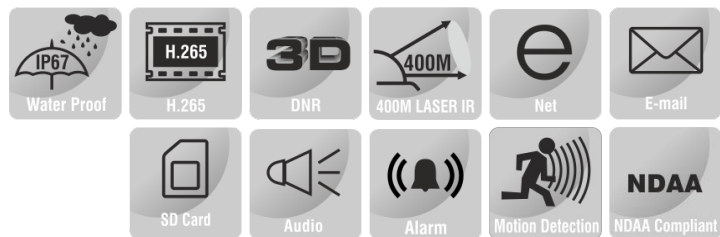
2MP HEAVY DUTY PTZ



ENC-HHP5Z-400R-13

FEATURES

- Starlight Illumination
- 44X Optical Zoom
- 16X Digital Zoom
- Smart IR up to 400 m
- ONVIF Profile (S, G, T)
- Triple Stream
- Audio and Alarm Support
- IP67



SPECIFICATION

MODEL	Model No.	ENC-HHP5Z-400R-13
	Type	2MP HEAVY DUTY PTZ
CAMERA	Image Sensor	1/2.8" CMOS Progressive 2.0 MegaPixel
	Day / Night	IR Cut Filter with Auto Switch
	Lens Type	Motorized Zoom Lens
	Focal Length	5~220 mm Lens
	Focus	Auto / Semi Auto / Manual
	Iris Type	Auto Iris
	Angle of View (H)	60.6° ~ 1.8°
	Angle of View (V)	35.6° ~ 1.2°
	Angle of View (D)	70.2°~2.1°
	Aperture Range	F1.2 ~ F3.5
	Optical Zoom	44X
	Digital Zoom	16X
	Zoom Speed	<5s
	Shutter	1s to 1/100,000s, Auto / Manual
	Min. Illumination	Color: 0.005 lux @ F1.35, B/W: 0 lux with IR
	AGC	Auto / Manual
Digital Noise Reduction	3D DNR	
S/N Ratio	56 dB	
Defog	Optical & Digital Defog	
WDR	120 dB	
Smart IR	Up to 400 m	
Wavelength	850 nm	

★Product specification and availability are subject to change without notice.

2MP HEAVY DUTY PTZ



ENC-HHP5Z-400R-13

MODEL	Model No.	ENC-HHP5Z-400R-13
	Type	2MP HEAVY DUTY PTZ
VIDEO	Max. Resolution	1920x1080
	Video Compression	H.265+, H.265, H.264, MJPEG
	Frame Rate	Main Stream: 2MP (1920x1080) @ 60fps Sub Stream: 2MP (1920x1080) @ 60fps Third Stream: D1 (720x576) @ 60fps
	Stream Settings	i-Frame, PAL/NTSC, Frame Rate, EIS, SVC
	Video Bit Rate	128 kbps ~ 16 Mbps
	Bitrate Type	CBR, VBR
	Image Settings	Brightness, Saturations, Contrast, Sharpness, 2D/3D Noise Reduction, Image Rotation, Exposure, Smart Illumination
	White Balance	Auto, Outdoor, Fine Tune, Sodium Lamp, Locked, Auto 2
	HLC	Supported
	BLC	Supported
	OSD	Total 8 regions
	ROI	Up to 8 regions
	Privacy Mask	Up to 24 regions
AUDIO	Audio Compression	G.711A, G.711U
	Audio Bit Rate	64 kbps
	Audio I/O	1/1
	Two Way Audio	Supported
	Audio Voltage	1 Input: impedance 35kΩ; amplitude 2V [p-p] 1 output: impedance 600Ω; amplitude 2V [p-p]
SMART	Behavior Detection	Intrusion (Perimeter), Crossline (Tripwire), Region Entry / Exit Detection, False Alarm Detection
	Statistical Analysis	Face Capture, People Counting, Crowd Detection, Audio Detection
	General Function	Watermark, IP Address Filtering, Alarm input, Alarm output, Access Policy, ARP Protection, RTSP Authentication, User Authentication
	Auto Tracking	Supported
INTERFACE	Protocols	TCP/IP, UDP, IPv4, IPv6, ICMP, IGMP, HTTP, HTTPS, FTP, DHCP, DNS, DDNS, RTP, RTSP, RTCP, RTMP, PPPoE, NTP, UPnP, SMTP (SSL/TLS), QoS (DSCP), 802.1x, SNMP, ARP, SSL/TLS
	Security	User Authentication, HTTPS Encryption, RTSP Authentication, Digest Authentication (RTSP/HTTP/ONVIF), TLS 1.2, WSSE (ONVIF)
	Compatibility	ONVIF Profile (S, G, T), SDK/API
	Network	1 x RJ45 10M/100M/1000M Self Adaptive Ethernet Port
	Alarm I/O	7/2
	Serial Interface	1 x RS485
	Video Output	1xBNC
	Edge Storage	Micro SD card slot, up to 256 GB
	Network Storage	ANR, NAS(NFS)
	Built-in Heater	Supported (Optional)
	Cable Interface	Pig Tail
	Remote Connection	Up to 32 users
PAN AND TILT	Web Client	EyenorVMS
	Pan Range	360°(endless)
	Pan Speed	Pan Manual Speed: 0.1°/s ~ 140°/s, Pan Preset Speed: 140°/s
	Tilt Range	-45° ~ 90° (Auto flip)
	Tilt Speed	Tilt Manual Speed: 0.1°/s ~ 50°/s, Tilt Preset Speed: 50°/s
	Patrol	16 patrols, up to 64 presets for each patrol
	Number of Preset	1024
	Patrol Stay Time	15s ~ 1800s
Home Position	Supported	

★Product specification and availability are subject to change without notice.

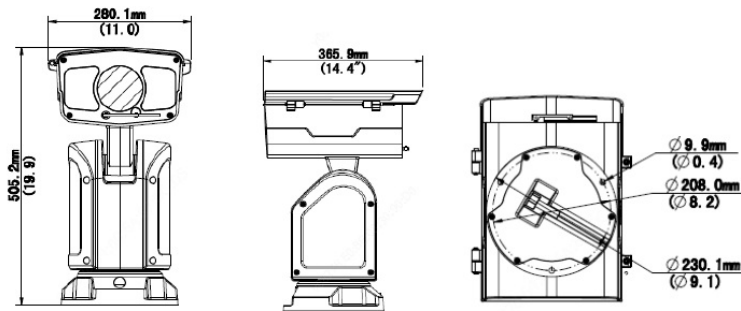
2MP HEAVY DUTY PTZ



ENC-HHP5Z-400R-13

MODEL		ENC-HHP5Z-400R-13
Type		2MP HEAVY DUTY PTZ
GENERAL	Power Supply	24V AC, 20 ~ 60V DC
	Max. Power Consumption	103W
	Working Temperature	-40 °C ~ 70 °C
	Working Humidity	≤95% RH (non-condensing)
	Ingress Protection	IP67
	Vandal Resistant	IK10(Housing)
	Surge Protection	TVS6000V
	Reset Button	Supported
	Dimensions	280.1×365.9×505.2 mm
	Net Weight	14.1 kg

Dimension Unit : mm



ORDERING INFORMATION

Part Number	Description	Standard Quantity
ENC-HHP5Z-400R-13	2MP 60FPS IR IP H.265 Heavy Duty PTZ System with 44X Optical Zoom, WDR, Micro SD Card Slot, Smart Analytics and 400m IR Support with Wall Mount Bracket	1

PACKING INFORMATION

Part Number	Packing Mode	Gross weight(Kg)	Dimension(mm)
ENC-HHP5Z-400R-13	Carton Box	-	-