

8MP PTZ DOME CAMERA



ENC-HHPAZ-240R-20

FEATURES

- 40X Optical Zoom
- 16X Digital Zoom
- Smart IR up to 240 m (upgradable to 250 m)
- ONVIF Profile (S, G, T)
- Triple Stream
- Audio and Alarm Support
- PoE ++, IP67



SPECIFICATION

MODEL	Model No.	ENC-HHPAZ-240R-20
	Type	8MP PTZ DOME CAMERA
CAMERA	Image Sensor	1/1.8" CMOS Progressive 8.0 MegaPixel
	Day / Night	IR Cut Filter with Auto Switch
	Lens Type	Motorized Zoom Lens
	Focal Length	5~200 mm (Optional 5.7 ~ 228 mm) Lens
	Focus	Auto / Semi Auto / Manual
	Iris Type	DC Auto Iris
	Angle of View (H)	58.4° ~ 2.08°
	Angle of View (V)	36.8° ~ 1.3°
	Angle of View (D)	69° ~ 2.4°
	Aperture Range	F1.35 ~ F4.6
	Optical Zoom	40X
	Digital Zoom	16X
	Zoom Speed	<5s
	Shutter	1s to 1/100,000s, Auto / Manual
	Min. Illumination	Color: 0.005 lux @ F1.35, B/W: 0 lux with IR
AGC	Auto / Manual	
Digital Noise Reduction	3D DNR	
S/N Ratio	56 dB	
Defog	Optical & Digital Defog	
WDR	120 dB	
Smart IR	Up to 240 m (Upgradable to 250m)	
Wavelength	850 nm	

★Product specification and availability are subject to change without notice.

8MP PTZ DOME CAMERA



ENC-HHPAZ-240R-20

MODEL	Model No.	ENC-HHPAZ-240R-20
	Type	8MP PTZ DOME CAMERA
VIDEO	Max. Resolution	3840x2160
	Video Compression	H.265+, H.265, H.264, MJPEG
	Frame Rate	Main Stream: 3840x2160 @ 25/30fps Sub Stream: 1920x1080 @ 25/30fps Third Stream: 720x576 @ 30fps
	Stream Settings	i-Frame, PAL/NTSC, Frame Rate, EIS
	Video Bit Rate	128 kbps ~ 16 Mbps
	Bitrate Type	CBR, VBR
	Image Settings	Brightness, Saturations, Contrast, Sharpness, 2D/3D Noise Reduction, Image Rotation, Exposure, Smart Illumination
	White Balance	Auto, Outdoor, Fine Tune, Sodium Lamp, Locked, Auto 2
	HLC	Supported
	BLC	Supported
	OSD	Total 8 regions
	ROI	Up to 8 regions
	Privacy Mask	Up to 24 regions
AUDIO	Audio Compression	G.711A, G.711U
	Audio Bit Rate	64 kbps
	Audio I/O	1/1
	Two Way Audio	Supported
SMART	Behavior Detection	Intrusion (Perimeter), Crossline (Tripwire), Region Entry / Exit Detection, False Alarm Detection
	Statistical Analysis	Face Capture, People Counting, Audio Detection
	General Function	Watermark, IP Address Filtering, Alarm input, Alarm output, Access Policy, ARP Protection, RTSP Authentication, User Authentication
	Auto Tracking	Supported
INTERFACE	Protocols	TCP/IP, UDP, IPv4, IPv6, ICMP, IGMP, HTTP, HTTPS, FTP, DHCP, DNS, DDNS, RTP, RTSP, RTCP, RTMP, PPPoE, NTP, UPnP, SMTP (SSL/TLS), QoS (DSCP), 802.1x, SNMP, ARP, SSL
	Security	User Authentication, HTTPS Encryption, RTSP Authentication, Digest Authentication (RTSP/HTTP/ONVIF), TLS 1.2, WSSE (ONVIF)
	Compatibility	ONVIF Profile (S, G, T), SDK/API
	Network	1 x RJ45 10M/100M Self Adaptive Ethernet Port
	Alarm I/O	7/2
	Serial Interface	1 x RS485
	Edge Storage	Micro SD card slot, up to 256 GB
	ANR	Supported
	Built-in Heater	Supported (Optional)
	Cable Interface	Pig Tail
	Remote Connection	Up to 32 users
PAN AND TILT	Web Client	EyenorVMS
	Pan Range	360°(endless)
	Pan Speed	Pan Manual Speed: 0.1°/s ~ 180°/s, Pan Preset Speed: 300°/s
	Tilt Range	-15° ~ 90° (Auto flip)
	Tilt Speed	Tilt Manual Speed: 0.1°/s ~ 180°/s, Tilt Preset Speed: 240°/s
	Patrol	Up to 16 patrols, up to 64 presets for each patrol
	Number of Preset	1024
Home Position	Supported	
GENERAL	Power Supply	24V AC, 24V DC, PoE++ (IEEE 802.3bt)
	Max. Power Consumption	61W
	Working Temperature	-40 °C ~ 70 °C
	Working Humidity	≤95% RH (non-condensing)
	Ingress Protection	IP67
	Vandal Resistant	IK10(Housing)
	Surge Protection	TVS6000V
	Reset Button	Supported
	Dimensions	Φ270x497 mm
Net Weight	9.69 kg	

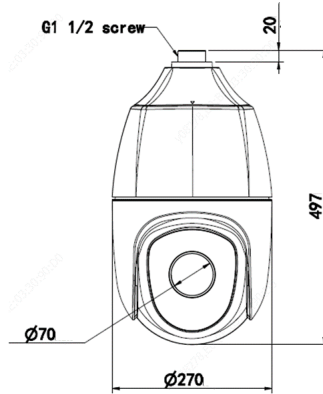
★Product specification and availability are subject to change without notice.

8MP PTZ DOME CAMERA



ENC-HHPAZ-240R-20

Dimension Unit : mm



ORDERING INFORMATION

Part Number	Description	Standard Quantity
ENC-HHPAZ-240R-20	8MP 4K IR IP H.265 High Speed PTZ Dome Camera with 40X Optical Zoom, PoE++, WDR, Micro SD Card Slot, Smart Analytics and 240m (upgradable to 250m) IR Support	1

PACKING INFORMATION

Part Number	Packing Mode	Gross weight(Kg)	Dimension(mm)
ENC-HHPAZ-240R-20	Carton Box	-	-