

15W Volume Controller

Volume Controller



DESCRIPTION

NVS-AC10010VC is an elegant and compact volume controller with 24V override function. It's compatible with NVS wall and ceiling speakers which have 100V line matching transformers and can be connected to a speaker or group of speakers with power rating up to 15 Watts. There are 6 volume selectable positions on the panel.

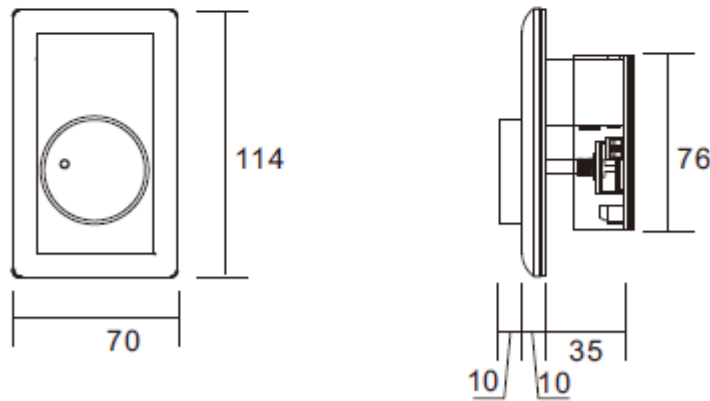
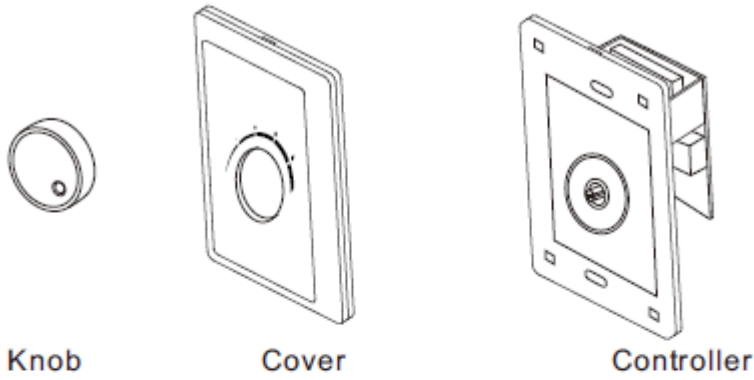
FEATURES

- ⦿ Simple Design and Modern appearance
- ⦿ Large knob design and easy to rotate
- ⦿ High quality ABS plastic body
- ⦿ Support 6 gear control

Specifications	
Model	NVS-AC10010VC
RMS Power	15W
Input Voltage	70V/100V
Connection Type	2-wire, 4-wire and 6-wire
Attenuation Range	6×3dB
Frequency Response	50Hz-20kHz
Dimension	114×70×55mm
Weight	235g

15W Volume Controller

DIMENSION



Measurement : mm

ORDERING INFORMATION

Part Number	Description	Standard Quantity
NVS-AC10010VC	15W Volume Controller	01