

# 2MP PTZ DOME CAMERA



## ENC-HHP5Z-150R-92

### FEATURES

- 33X Optical Zoom
- 16X Digital Zoom
- Smart IR up to 150m (Upgradable to 200m)
- ONVIF Profile (S, G, T, M)
- Triple Stream
- Audio and Alarm Support
- PoE+, IP67



### SPECIFICATION

MODEL		Model No.	ENC-HHP5Z-150R-92
CAMERA		Type	2MP PTZ DOME CAMERA
		Image Sensor	1/2.8" CMOS Progressive 2.0 MegaPixel
		Day / Night	IR Cut Filter with Auto Switch
		Lens Type	Motorized Zoom Lens
		Focal Length	4.5 ~ 148.5mm Lens (Optional 4.3 ~ 141.9mm Lens)
		Focus	Auto / Semi Auto / Manual
		Iris Type	DC Auto Iris
		Angle of View (H)	64.4° ~ 2.1° (Optional 60.0° ~ 2.3°)
		Angle of View (V)	41.8° ~ 1.4° (Optional 34.4° ~ 1.5°)
		Angle of View (D)	76.5° ~ 2.5° (Optional 69.1° ~ 2.7°)
		Aperture	F1.5 ~ F4.3
		Optical Zoom	33X
		Digital Zoom	16X
		Zoom Speed	<4s
		Electronic Shutter	1s ~ 1/100,000s, Auto/Manual
		Min. Illumination	Color: 0.001 lux @ F1.5, B/W: 0 lux with IR
		AGC	Auto / Manual
		Digital Noise Reduction	3D DNR
		S/N Ratio	≥60 dB
		Defog	Smart Defog
WDR	120 dB		
Smart IR	Up to 150m (upgradable to 200m)		
Laser	N/A		
Wavelength	850 nm		
White LEDs	N/A		

★Product specification and availability are subject to change without notice.

# 2MP PTZ DOME CAMERA



## ENC-HHP5Z-150R-92

MODEL	Model No.	ENC-HHP5Z-150R-92
	Type	2MP PTZ DOME CAMERA
DORI	Lens	4.5 ~ 148.5 mm (Optional 4.3 ~ 141.9 mm)
	Detection	68.2 ~ 2199.5 m (Optional 65.2 ~ 2095.1 m)
	Observation	26.7 ~ 886.9 m (Optional 25.6 ~ 844 m)
	Recognition	12.6 ~ 439.8 m (Optional 11.9 ~ 418.7 m)
	Identification	5.3 ~ 220.0 m (Optional 4.8 ~ 206.6 m)
VIDEO	Max. Resolution	1920x1080
	Video Compression	Enhanced (H.265, H.264), H.265, H.264, MJPEG
	Frame Rate	Main Stream: (1920x1080, 1280x960, 1280x720, 704x480, 640x480) @ 30fps, (1920x1080, 1280x960, 1280x720, 704x576, 640x480) @ 25fps Sub Stream: (704x480, 704x240, 640x360, 352x240) @ 30fps, (704x576, 704x288, 640x360, 352x288) @ 25fps Third Stream: (1920x1080, 1280x960, 1280x720, 704x480, 704x240, 640x480, 352x240) @ 30fps, (1920x1080, 1280x960, 1280x720, 704x576, 704x288, 640x480, 352x288) @ 25fps
	Stream Settings	i-Frame, PAL/NTSC, Frame Rate, EIS, SVC
	Video Bit Rate	32 kbps ~ 16 Mbps
	Bitrate Type	CBR, VBR
	Image Settings	Brightness, Contrast, Saturation, Hue, Sharpness, Rotation/Mirror, Gain, Exposure, Day & Night (Automatic, Color, Mono)
	White Balance	Auto, Semi Auto, Sunshine, Daylight, Warm Light, Filament, Nature Light, Lock WB, Manual
	Corridor Mode	N/A
	HLC	Supported
	BLC	Supported
	OSD	Up to 5 regions
	OSD Type	Title, Week, Date, Time, Text with Different Colors and Adaptable Sizes (16x16, 24x24, 32x32, 48x48, 64x64), Image Overlay
	ROI	Up to 7 regions
	Privacy Mask	Up to 24 regions
	Heatmap	Supported
	AUDIO	Audio Compression
Audio Bit Rate		8 kbps, 32 kbps, 48 kbps
Audio I/O		1/1
Audio Voltage		Audio Input, Level 5V, Input impedance 1500 ohms; Audio output, Level 3V, Output Impedance 100 ohms
Built-in Mic		N/A
SMART	Behavior Detection	Intrusion (Perimeter), Crossline (Tripwire), Double crossline ( Double Tripwire)
	Intelligent Identification	Loitering, Abandoned object (Object Left), Missing Object(Object Lost)
	Statistical Analysis	Face Capture, People Counting, Crowd Detection, On Duty Detection, Helmet Detection, Abnormal Video & Audio Detection, Parking, Running
	Alarm Management	Motion Detection, Tampering (Masking), Input & Output Event, Network Alarm, Disk Alarm, Pre/Post Alarm Recording, Alarm Recording/Snapshot, FTP Server Exception
	Alarm Notification	E-mail (Notification and Snapshot), HTTP (Alarm Icon ), FTP (Snapshot and Recording), SD Card (Recording)
Auto Tracking	Supported	
INTERFACE	Protocols	TCP/IP, UDP, IPv4, IPv6, ICMP, HTTP, HTTPS, FTP, SFTP, NFS, DHCP, DNS, DDNS, RTP, RTCP, RTSP, RTMP, PPPoE, NTP, UPnP, SMTP, IGMP, QoS(DSCP), ARP, 802.1x, Unicast, Multicast, SNMP (V1,V2,V3), SSL, P2P, SMB/CIFS, SSH
	Security	AES Video Encryption, IP Filter, User Authentication (multiple privilege level), 802.1X Authentication (EAP-MD5), Digest Authentication, HTTPS Encryption, User Access Log
	Compatibility	ONVIF Profile (S, G, T, M), SDK/API/CGI
	Network	1 x RJ45 10M/100M Self Adaptive Ethernet Port
	Alarm I/O	1/1
	Alarm Voltage	Input (switch type) , Output (3.3V-12V, 10 ohm)
	Edge Storage	Built-in MicroSD card slot, up to 512 GB
	ANR	Supported
	Heater	Supported (Optional)
	Fan	Supported
	Cable Interface	Pig Tail
	Remote Connection	≤7
Client Application	EyeConnect	
Web Language	15	

★Product specification and availability are subject to change without notice.

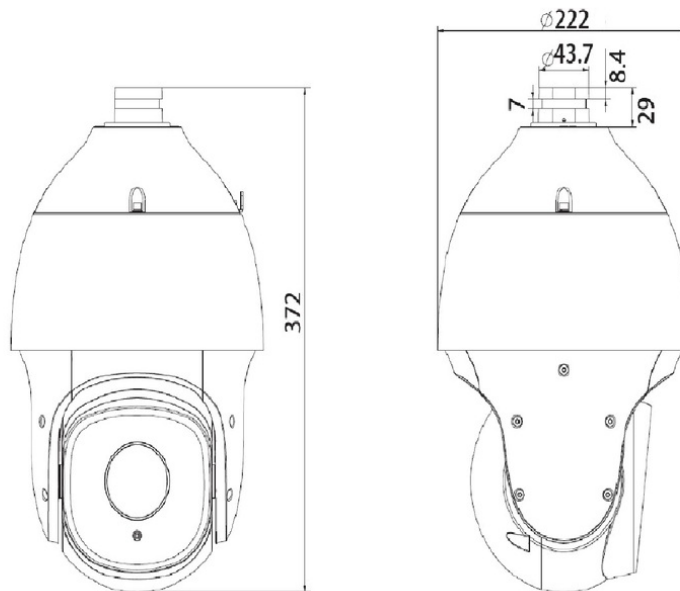
# 2MP PTZ DOME CAMERA



## ENC-HHP5Z-150R-92

MODEL		ENC-HHP5Z-150R-92
Type		2MP PTZ DOME CAMERA
PAN AND TILT	Pan Range	0° ~ 360° (Endless)
	Pan Speed	Pan Manual Speed: 0.1°/s ~ 240°/s, Pan Preset Speed: 300°/s
	Tilt Range	-16° ~ 90° (Auto flip)
	Tilt Speed	Tilt Manual Speed: 0.1°/s ~ 180°/s, Tilt Preset Speed: 240°/s
	Preset Accuracy	±0.4°
	3D Position	Supported
	PTZ Mode	8 Scan, 16 Tour (32 presets per tour)
	Pattern	8
	Number of preset	500
	Power off Recovery	Supported
GENERAL	Power Supply	12V DC, PoE+(IEEE 802.3at)
	Max. Power Consumption	≤24 W (IR ON), ≤14 W (IR OFF)
	Working Temperature	-40 °C ~ 70 °C
	Working Humidity	≤95% RH (non-condensing)
	Ingress Protection	IP67
	Vandal Resistant	IK10 (Housing)
	Extra corrosion resistance coating	Supported (Optional)
	Surge Protection	TVS6000V
	Reset Button	Supported
	Dimensions	Φ222×372 mm
Net Weight	5.3 kg	

Dimension Unit : mm



★Product specification and availability are subject to change without notice.

# 2MP PTZ DOME CAMERA



## ENC-HHP5Z-150R-92

### ORDERING INFORMATION

Part Number	Description	Standard Quantity
ENC-HHP5Z-150R-92	2MP Starlight IR IP H.265 PTZ Dome Camera with 33X Optical Zoom, PoE+, MicroSD Card Slot, Smart Analytics, WDR and 150m(upgradable to 200m) IR Support	1
ENB-BTPW66	Wall Mount Bracket for Norden PTZ Camera (Included in Device Package)	1
ENB-BTPH66	Outer Corner Bracket for Norden PTZ Camera	1
ENB-BTPV66	Pole Mount Bracket for Norden PTZ Camera	1
ENB-BTPJ66	Junction Box for Norden PTZ Camera	1

### PACKING INFORMATION

Part Number	Packing Mode	Gross weight(Kg)	Dimension(mm)
ENC-HHP5Z-150R-92	Carton Box	8.0	310×310×500