

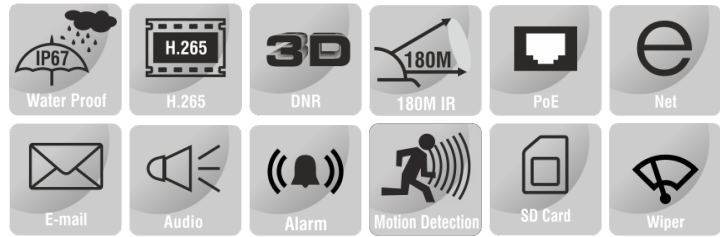
# 5MP PTZ DOME CAMERA



## ENC-HHP8Z-180R-94

### FEATURES

- Starlight Illumination
- 30X Optical Zoom
- 16X Digital Zoom
- Smart IR up to 180 m
- ONVIF Profile (S, G, T, M)
- Triple Stream
- Audio and Alarm Support
- PoE++, IP67



### SPECIFICATION

| MODEL                   | Model No.         | ENC-HHP8Z-180R-94                            |
|-------------------------|-------------------|--|
|                         | Type              | 5MP PTZ DOME CAMERA                          |
| CAMERA                  | Image Sensor      | 1/2.8" CMOS Progressive 5.0 MegaPixel        |
|                         | Day / Night       | IR Cut Filter with Auto Switch               |
|                         | Lens Type         | Motorized Zoom Lens                          |
|                         | Focal Length      | 4.5 ~ 135mm Lens (Optional 4.7 ~ 141mm Lens) |
|                         | Iris Type         | DC Auto Iris                                 |
|                         | Angle of View (H) | 64.5° ~ 2.3° (Optional 61.9° ~ 2.5°)         |
|                         | Angle of View (V) | 50.4° ~ 1.7° (Optional 35.5° ~ 1.4°)         |
|                         | Angle of View (D) | 77.1° ~ 2.9° (Optional 71.3° ~ 2.8°)         |
|                         | Aperture          | F1.6 ~ F4.3                                  |
|                         | Optical Zoom      | 30X  |
|                         | Digital Zoom      | 16X  |
|                         | Zoom Speed        | <5s  |
|                         | Shutter           | 1s ~ 1/100,000s                              |
|                         | Min. Illumination | Color: 0.001 lux @ F1.5, B/W: 0 lux with IR  |
|                         | AGC               | Auto / Manual                                |
| Digital Noise Reduction | 3D DNR            |  |
| S/N Ratio               | ≥60 dB            |  |
| Defog                   | Smart Defog       |  |
| WDR                     | 140 dB            |  |
| Smart IR                | Up to 180 m       |  |
| Wavelength              | 850 nm            |  |
| White LEDs              | 2                 |  |
| White Light Distance    | 30 m              |  |

★Product specification and availability are subject to change without notice.

# 5MP PTZ DOME CAMERA



## ENC-HHP8Z-180R-94

|                    |                            |   |
|--------------------|----------------------------|---|
| MODEL              | Model No.                  | ENC-HHP8Z-180R-94   |
|                    | Type                       | 5MP PTZ DOME CAMERA   |
| DORI               | Lens                       | 4.5~135 mm (Optional 4.7~141 mm Lens)   |
|                    | Detection                  | 115~3000 m (Optional 110~3100 m)  |
|                    | Observation                | 46~1200 m (Optional 44~1240 m)  |
|                    | Recognition                | 23~600 m (Optional 22~620 m)  |
|                    | Identification             | 12~300 m (Optional 11~310 m)  |
| VIDEO              | Max. Resolution            | 2592x1944   |
|                    | Video Compression          | Enhanced (H.265, H.264), H.265, H.264, MJPEG  |
|                    | Frame Rate                 | Main Stream: (2592x1944, 2560x1440) @ 30fps, (2592x1944, 2560x1440) @ 25fps, (1920x1080, 1280x720) @ 60fps, (1920x1080, 1280x720) @ 50fps<br>Sub Stream: (704x480, 704x240, 640x360, 352x240) @ 30fps, (704x576, 704x288, 640x360, 352x288) @ 25fps<br>Third Stream: (1920x1080, 1280x960, 1280x720, 704x480, 640x480, 352x240) @ 30fps, (1920x1080, 1280x960, 1280x720, 704x576, 640x480, 352x288) @ 25fps |
|                    | Stream Settings            | i-Frame, PAL/NTSC, Frame Rate, EIS, SVC   |
|                    | Video Bit Rate             | 32 kbps ~ 16 Mbps   |
|                    | Bitrate Type               | CBR, VBR  |
|                    | Image Settings             | Brightness, Contrast, Saturation, Hue, Sharpness, Rotation/Mirror, Gain, Exposure, Day/Night  |
|                    | White Balance              | Auto, Semi Auto, Sunshine, Daylight, Warm Light, Filament, Nature Light, Lock WB, Manual  |
|                    | HLC                        | Supported   |
|                    | BLC                        | Supported   |
|                    | OSD                        | Up to 5 regions   |
|                    | OSD Type                   | Title, Week, Date, Time, Text with different colors and adaptable sizes (16x16, 24x24, 32x32, 48x48, 64x64, 96x96), Image overlay   |
|                    | ROI                        | Up to 7 regions   |
|                    | Privacy Mask               | Up to 24 regions  |
|                    | Heatmap                    | Supported   |
| AUDIO              | Audio Compression          | G.711A, G.711U, ADPCM_D, AAC_LC   |
|                    | Audio Bit Rate             | 8 kbps, 32 kbps, 48 kbps  |
|                    | Audio I/O                  | 1/1   |
|                    | Audio Voltage              | Audio Cable; Input: Impedance 35 kΩ, Amplitude 2 V [p-p]  |
| SMART              | Behavior Detection         | Intrusion (Perimeter), Crossline (Tripwire), Double Crossline (Double Tripwire)   |
|                    | Intelligent Identification | Loitering, Running, Abandoned Object (Object Left), Missing Object(Object Left), Parking  |
|                    | Statistical Analysis       | Early Warning, Face Detection (Capture), People Counting, Crowd Detection, On Duty Detection, Helmet Detection, Human & Vehicle Classification, Abnormal Video & Audio Detection  |
|                    | Alarm Management           | Motion Detection, Tampering (Masking), Input & Output Event, IP & MAC Address Conflict, Disk Alarm (Full & R/W Error), FTP Server Exception, Abnormal Voltage, Pre/Post Alarm Recording, Alarm Recording/Snapshot   |
|                    | Alarm Notification         | E-mail (Notification and Snapshot), HTTP (Alarm Icon ), FTP (Snapshot and Recording), SD Card (Recording)   |
|                    | Auto Tracking              | Supported   |
| INTERFACE          | Protocols                  | TCP/IP, UDP, IPv4, IPv6, ICMP, IGMP, HTTP, HTTPS, FTP, NFS, DHCP, DNS, DDNS, RTP, RTSP, RTCP, RTMP, PPPoE, NTP, UPnP, SMTP (SSL/TLS), QoS (DSCP), Unicast, Multicast, ARP, SNMP, SSL, P2P   |
|                    | Security                   | AES Video Encryption, IP Filter, User authentication (multiple privilege level), 802.1X authentication (EAP-MD5), Digest authentication, User Access Log  |
|                    | Compatibility              | ONVIF Profile (S, G, T, M), SDK/API/CGI   |
|                    | Network                    | 1 x RJ45 10M/100M Self Adaptive Ethernet Port   |
|                    | Alarm Interface            | 8/2   |
|                    | Alarm Voltage              | Input (switch type) , Output (3.3V-12V, 10 ohm)   |
|                    | Serial Interface           | 1 x RS485   |
|                    | BNC                        | Supported   |
|                    | Edge Storage               | Built-in MicroSD card slot, up to 512 GB  |
|                    | ANR                        | Supported   |
|                    | Built-in Speaker           | Supported   |
|                    | Heater                     | Supported (Optional)  |
|                    | Fan                        | Supported   |
|                    | Cable Interface            | Pig Tail  |
|                    | Remote Connection          | ≤7  |
| Client Application | EyeConnect                 |   |
| Web Language       | 15                         |   |
| Wiper              | Supported                  |   |

★Product specification and availability are subject to change without notice.

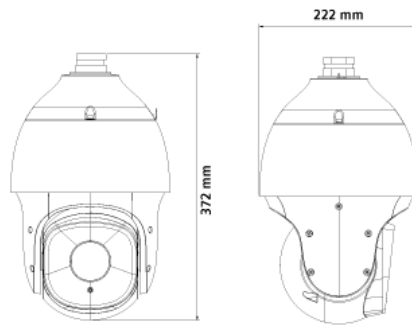
# 5MP PTZ DOME CAMERA



## ENC-HHP8Z-180R-94

| MODEL        |                        | ENC-HHP8Z-180R-94   |
|--------------|------------------------|---|
| Type         |                        | 5MP PTZ DOME CAMERA   |
| PAN AND TILT | Pan Range              | 0° ~ 360° (Endless)   |
|              | Pan Speed              | Pan Manual Speed: 0.1°/s ~ 240°/s, Pan Preset Speed: 300°/s   |
|              | Tilt Range             | -16° ~ 90° (Auto flip)  |
|              | Tilt Speed             | Tilt Manual Speed: 0.1°/s ~ 180°/s, Tilt Preset Speed: 240°/s |
|              | Preset Accuracy        | ±0.4°   |
|              | 3D Position            | Supported   |
|              | PTZ Mode               | 8 Scan, 16 Tour (32 presets per Tour)                         |
|              | Pattern                | 8   |
|              | Number of Preset       | 500   |
|              | Power off Recovery     | Supported   |
| GENERAL      | Power Supply           | 24V AC, PoE++   |
|              | Max. Power Consumption | ≤44 W (IR ON), ≤21 W (IR OFF)                                 |
|              | Working Temperature    | -40 °C ~ 70 °C  |
|              | Working Humidity       | ≤95% RH (non-condensing)                                      |
|              | Ingress Protection     | IP67  |
|              | Vandal Resistant       | IK10 (Housing)  |
|              | Surge Protection       | TVS6000V  |
|              | Reset Button           | Supported   |
|              | Dimensions             | Φ222×372 mm   |
|              | Net Weight             | 5.4 kg  |

Dimension Unit : mm



### ORDERING INFORMATION

| Part Number       | Description   | Standard Quantity |
|-------------------|---|-------------------|
| ENC-HHP8Z-180R-94 | 5MP Starlight IR IP H.265 PTZ Dome Camera with 30X Optical Zoom, Hi-PoE, MicroSD Card Slot, Smart Analytics, WDR , Built-in Speaker and 180m IR Support | 1                 |
| ENB-BTPW66        | Wall Mount Bracket for Norden PTZ Camera  | 1                 |
| ENB-BTPH66        | Outer Corner Bracket for Norden PTZ Camera  | 1                 |
| ENB-BTPV66        | Pole Mount Bracket for Norden PTZ Camera  | 1                 |
| ENB-BTPD66        | Connector for Norden PTZ Camera   | 1                 |
| ENB-BTPJ66        | Junction Box for Norden PTZ Camera  | 1                 |
| ENB-BTPP66        | Pendant Mount Bracket for Norden PTZ Camera   | 1                 |

★Product specification and availability are subject to change without notice.

# 5MP PTZ DOME CAMERA



**ENC-HHP8Z-180R-94**

## PACKING INFORMATION

| Part Number       | Packing Mode | Gross weight(Kg) | Dimension(mm) |
|-------------------|--------------|------------------|---------------|
| ENC-HHP8Z-180R-94 | Carton Box   | 9.0              | 500×310×310   |