

Professional Stereo Power Amplifier 2x700W



DESCRIPTION

The NVS-20161402AM is a two-channel stereo amplifier with low distortion and high efficiency. Equipped with reliable protection of overvoltage, under-voltage, DC protection, short circuit and alarming function conference. BTL connectivity is offered. It is appropriate for conference systems, meeting rooms, and daily activities.

FEATURES

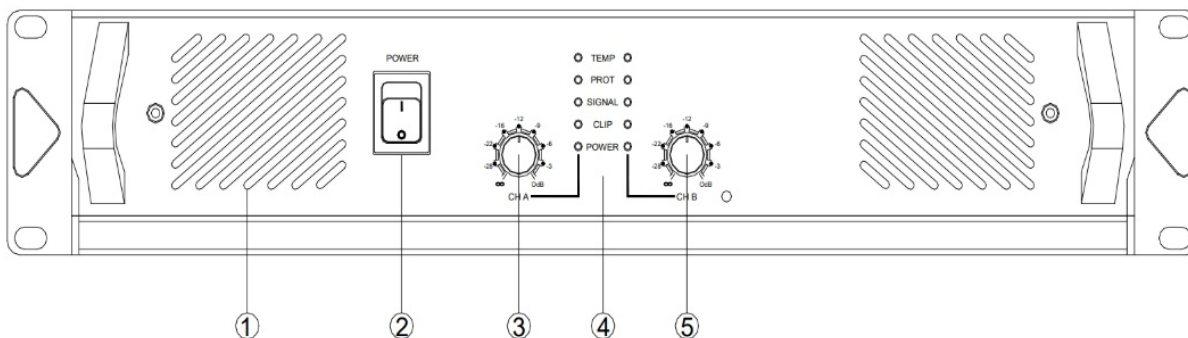
- ⊙ 2 channels professional stereo power amplifier
- ⊙ Stereo amplifier with low distortion and high efficiency
- ⊙ Individual volume control for each channel
- ⊙ Three types of connection available: dual channel, mono channel, BTL
- ⊙ Equipped with reliable protection of overvoltage, under-voltage, DC protection, short circuit and alarm functions

Specifications

Model	NVS-20161402AM
Rated output / channel, 8Ω	400W
Rated output / channel, 4Ω	700W
Rated output / BTL, 8Ω	1400W
Frequency Response	20Hz - 20kHz (±0.5dB)
Input sensitivity	1.2dBV
Total Harmonic Distortion	<0.1% into 4Ω/1kHz
Signal to Noise Ratio	100dB
Damping Factor	200:1/8Ω, 1kHz
Input CMRR	>90dB
Channel Impedance	4-16Ω
Voltage Gain	>38dB
Weight	23.5Kg
Dimension	484×446×88mm

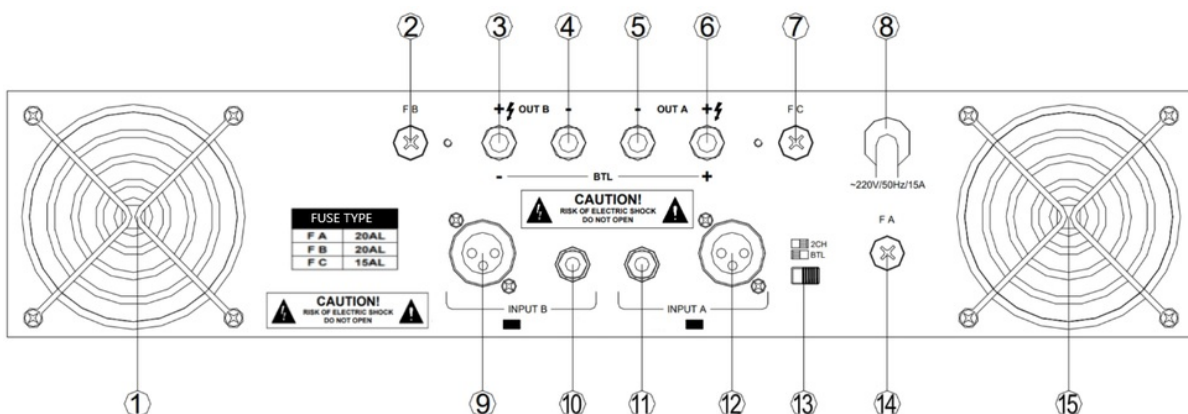
Professional Stereo Power Amplifier 2x700W

FRONT PANEL



1. Cooling Fan
2. Power Switch
3. Channel A volume control knob (input attenuation)
4. Machine working status indicator
5. Channel B volume control knob (input attenuation)

REAR PANEL



1. Cooling fan window
2. Channel B exchange fuse
3. Channel B amplifier output "+" class terminal
4. Channel B amplifier output "-" class terminal
5. Channel A amplifier output "-" class terminal
6. Channel A amplifier output "+" class terminal
7. Machine AC220V power input fuse holder
8. Machine AC220V power input cable
9. Channel B line audio input XLR interface
10. Channel B line audio input 6.35mm interface
11. Channel A line audio 6.35mm interface
12. Channel A line audio input XLR interface
13. Power amplifier working mode selection switch
14. Local AC220V power input fuse holder
15. Cooling fan window

ORDERING INFORMATION

Part Number	Description	Standard Quantity
NVS-20161402AM	Professional Stereo Power Amplifier 2x700W	01

NVS-20161402AM



Professional Stereo Power Amplifier 2x700W

ACCESSORIES INFORMATION

Description	Standard Quantity
5x19 Machine Fixing Screw	04
Fuse Holder	01
Plastic Washer	04
User Manual	01
Cross Recessed Half Round Head Screw/3x8	02
16A Conversion Plug	01
4-Core Professional Speaker Wiring XLR Male Socket	02