

WALL MOUNT CABINET - RECESSED



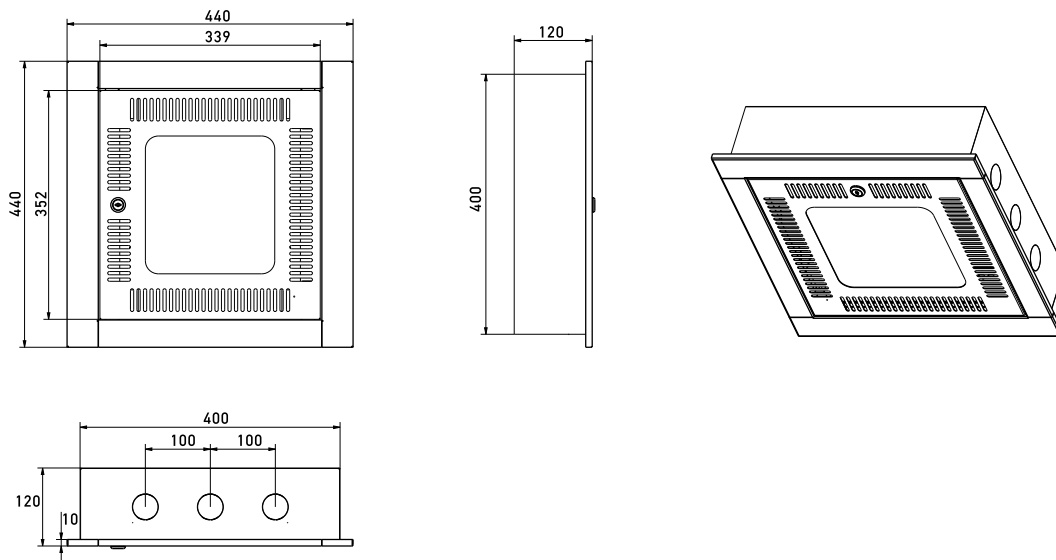
The Easycab range of recessed type wall mount cabinets designed for home/office environment. The cabinet's structure is welded and painted with electro static powder coated finish. Easycab is available in 12U size and comply with ANSI/EIA RS-310-D, DIN41497 part 1, IEC 297-2, DIN41497 part 7, GB/T3047. 2-92 standards.

FEATURES

- Recessed type installation
- 3 round Cable entry through bottom and top panel with rubber protection.
- 180 degree turning angle for front door
- Tempered front glass lockable door
- Welded frame
- 3U Mesh Panel (adjustable)
- 10" Installation

Material	SPCC cold rolled steel
Degree of protection	IP20
Surface finish	Degreasing, phosphoric, powder coated
Loading capacity	30 KGS

STRUCTURE



WALL MOUNT CABINET - RECESSED

ACCESSORIES

Accessories	Material Of Construction	Surface Coating & Colour	Quantity
Front glass door	5mm toughened glass door /1.2mm SPCC cold rolled steel	Powder coating	1 piece
Cable entry cover	1.2mm SPCC cold rolled steel	Powder coating	1 piece
Mounting Profile	1.2mm SPCC cold rolled steel	Powder coating	1 piece
Lock with 2 keys	-	-	1 piece
Frame	1.2mm SPCC cold rolled steel	Powder coating	1 piece

ORDERING INFORMATION

Part Number	Description	Capacity (U)
1319-06D110X	06U 400 x 120 Recessed Type Wall Mount Cabinet	06
1319-09D210X	09U 400 x 150 Recessed Type Wall Mount Cabinet	09