

NVS-IP30017AM

2X25W IP NETWORK TERMINAL WITH BUILT-IN AMPLIFIER



DESCRIPTION

NVS-IP30017AM Network PA system terminal is a network full digital signal processor based on TCP/IP protocol. With dual network interface design, it can be connect to anywhere the network reaches. Under intelligent control of the system center, this terminal serves to output the long distance audio data flow. Built in MP3 player, USB port, and SD slot, for local program playing. With 1 aux input to connect with other audio source equipments; 1 aux audio output for connection with other amplifiers for power extension; and 1 MIC input for local Paging.

FEATURES

- ⊕ Dual Network interface design, able to work across network segments
- ⊕ Able to connect to anywhere the network reaches
- ⊕ Built in MP3 player, USB port, and SD slot, for local program playing
- ⊕ Support up to 48kHz sampling frequency, and 16bit digital audio code stream decoding
- ⊕ Built in 2*25w or 1*50w Hi-Fi digital amplifier, with low power consumption setting
- ⊕ Able to play the background music, emergency broadcast, warning signal from system center
- ⊕ 1 aux input, 1 aux output, 2 MIC input, 1 EMC output, and 1 short circuit output
- ⊕ Volume and play status of the zone can be controlled by this terminal
- ⊕ LED indicator for signal status, and digital display of work condition and information change
- ⊕ Infrared remote control available

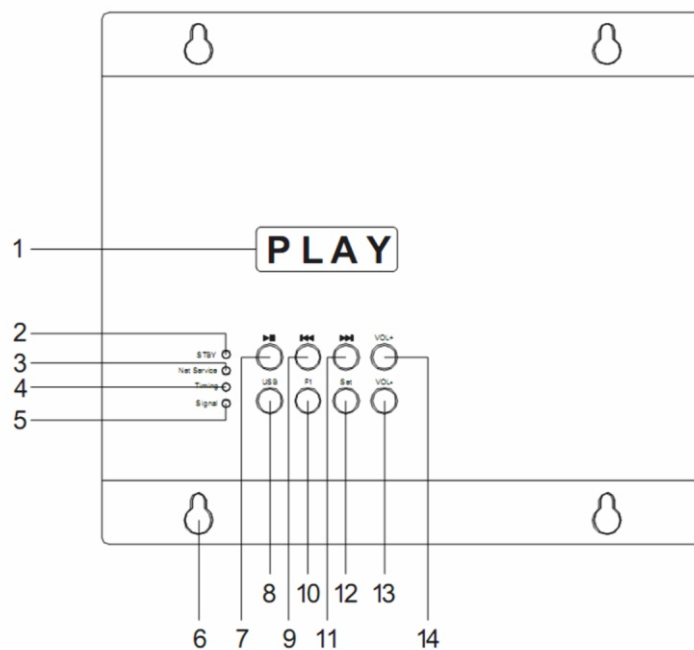
Specifications		
Model	NVS-IP30017AM	
AUX IN	Sensitivity	1000 mV
	Frequency response	10Hz-26kHz
	Distortion	0.05%
	Noise	1mV
	SNR	80 dB
AUX OUT	Sensitivity	1000mV
	Freq. Resp.	10Hz-26kHz
	Distortion	0.05%
	Noise	0.12 mV
	SNR	77 dB
Max Power Output	Independent Channel Mode	25W/4Ω
	BTL Mode	50W/8Ω
Max Distortion	0.3%	
MIC Input	Sensitivity	10 mV
	Freq. Resp.	20Hz-23kHz
	Distortion	0.5%
	Noise	2 mV
	SNR	75 dB

NVS-IP30017AM

2X25W IP NETWORK TERMINAL WITH BUILT-IN AMPLIFIER

Specifications		
Model		NVS-IP30017AM
USB/SD /NET/MP3 Input	Sensitivity	11V
	Freq. Resp.	10Hz-26kHz
	Distortion	0.05%
	Noise	1 mV
	SNR	80dB
Max Capacity of External USB		32GB
Power Supply Voltage		45-256V/50Hz
Over-current, over-heat, over-voltage, under-voltage protection		Yes

FRONT PANEL

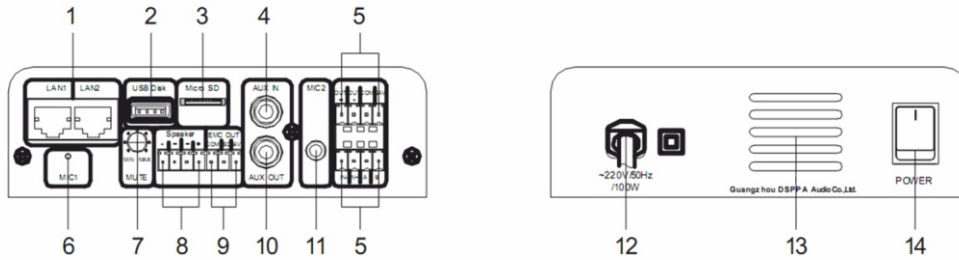


- | | |
|--|-------------|
| 1. Digital Display and Infrared Receiver | 8. USB |
| 2. Standby Indicator | 9. Previous |
| 3. Network Indicator | 10. F1 Key |
| 4. Timing Indicator | 11. Set Key |
| 5. Amplifier Output Level Indicator | 12. Next |
| 6. Screw Fixing Hole | 13. VOL - |
| 7. Play/Pause | 14. VOL + |

NVS-IP30017AM

2X25W IP NETWORK TERMINAL WITH BUILT-IN AMPLIFIER

SIDE PANEL



- 1. LAN Interface
- 2. USB Port
- 3. SD Slot
- 4. Aux Input
- 5. Color Screen On-demand Terminal Connection
- 6. MIC1
- 7. MIC Muting

- 8. Speaker Connection
- 9. EMC Override Connection
- 10. Aux Output
- 11. MIC2
- 12. AC220V Input
- 13. Cooling Window
- 14. Power On/Off

ORDERING INFORMATION

Part Number	Description	Standard Quantity
NVS-IP30017AM	2x25W IP Network Terminal with Built-in Amplifier	1 No.

PACKING INFORMATION

Part Number	Packing Mode	Gross Weight(kg)	Dimensions(mm)
NVS-IP30017AM	Carton Box	3.0	485x255x170