

NAC-9003EB



# Emergency Break Glass Button Green



## DESCRIPTION

The NAC-9003EB is an Emergency Break Glass Button Green which is made up of ABS material and has an operating temperature ranging from -20°C ~ +55°C.

## APPLICATION

Office areas, schools, communities, office buildings, hotels, shopping malls, shops, public service places, etc.

## FEATURES

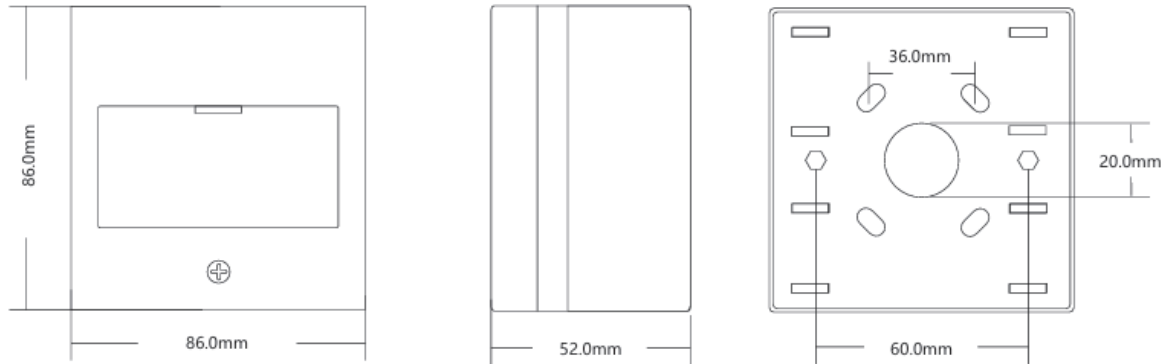
- Emergency Call Point
- SPDT, NO/NC/COM
- ABS material

TECHNICAL PARAMETERS	
Model	NAC-9003EB
Output Contact	NO/NC/COM
Power Supply	DC 12-30V, 2A
Size	86L x 86W x 52H mm
Material	ABS
Weight	0.165Kg
Mechanical Life	500,000 Tested
Operating Temperature	-20°C ~ +55°C [-4°F ~ 131°F]
Operating Humidity	0-95% (RH)

NAC-9003EB

# Emergency Break Glass Button Green

## DIMENSION



## ORDERING INFORMATION

Part Number	Description
NAC-9003EB	Emergency Break Glass Button Green