

JUNCTION BOX FOR BULLET CAMERA



ENB-BTEJ67

FEATURES

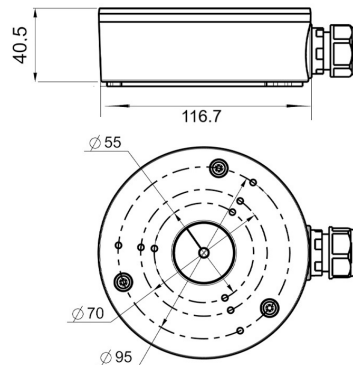
Metal
Max. Load Support up to 3.0 kg
Junction Box for Bullet Camera
IP67



SPECIFICATION

MODEL	Model No.	ENB-BTEJ67
	Type	JUNCTION BOX FOR BULLET CAMERA
GENERAL	Construction	Metal
	Color	White
	Max. Weight Supported	3.0 kg
	Operating Temperature	-40°C~+70°C
	Dimensions	Φ116.7x40.5mm
	Weight	0.36 kg

Dimension Unit : mm



ORDERING INFORMATION

Part Number	Description	Standard Quantity
ENB-BTEJ67	Junction Box for Norden Fixed Lens Turret Camera and Fixed Lens Mini Bullet Camera	1

PACKING INFORMATION

Part Number	Packing Mode	Gross weight(Kg)	Dimension(mm)
ENB-BTEJ67	Carton Box	-	-

★Product specification and availability are subject to change without notice.

►NORDEN® | JUNCTION BOX FOR BULLET CAMERA - GB - Version: 2.0

www.nordencommunication.com