

NAC-9014AE

Aluminium Exit Button



DESCRIPTION

The NAC-9014AE is a Aluminium exit button which has a standard structure made of Stainless Steel panel and a steel button. It is suitable for hollow doors.

APPLICATION

Office areas, schools, communities, office buildings, hotels, shopping malls, shops, public service places, etc

FEATURES

- NO/COM
- Standard structure of 8mm Aluminium Alloy

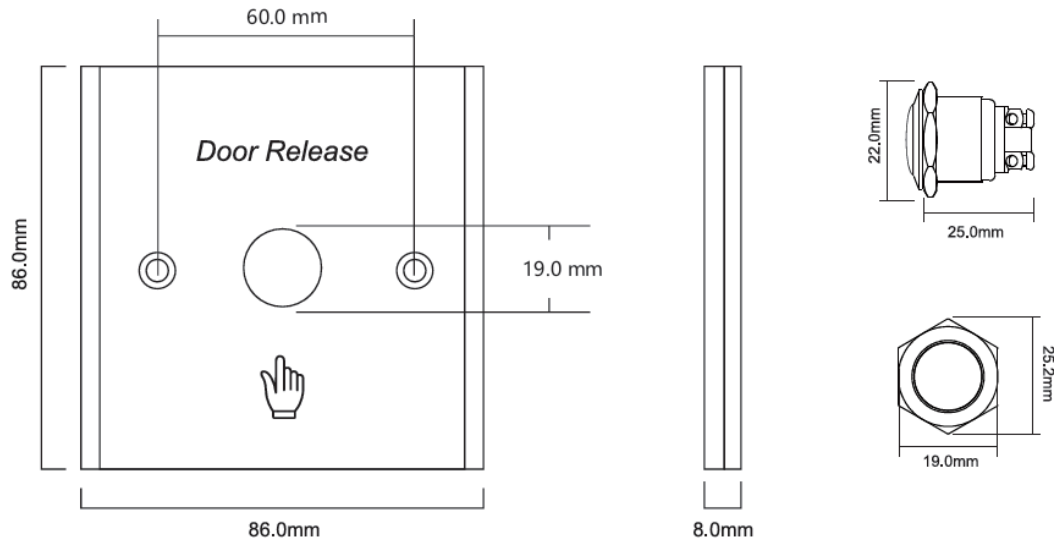
TECHNICAL PARAMETERS

Model	NAC-9014AE
Size	86L x 86W x 25H mm
Weight	0.17Kg
Power Supply	DC 12V
Output Contact	NO/COM
Material	8mm Aluminium Alloy
Mechanical Life	500,000 tested
Accessories	Optional Back box
Operating Temperature	-20°C ~ +55°C (-4°F ~ 131°F)
Operating Humidity	0-95% (RH)

NAC-9014AE

Aluminium Exit Button

DIMENSION



ORDERING INFORMATION

Part Number	Description
NAC-9014AE	Aluminium Exit Button
NAC-9014BB	Metal Backbox For NAC-9014AE