

NAC-9013SB

Stainless Steel Exit Button with LED



DESCRIPTION

The NAC-9013SB is a Stainless Steel Exit Button with LED which is made of 1.8 mm thick 304 stainless steel panel and requires a power supply of DC 12V.

APPLICATION

Office areas, schools, communities, office buildings, hotels, shopping malls, shops, public service places, etc

FEATURES

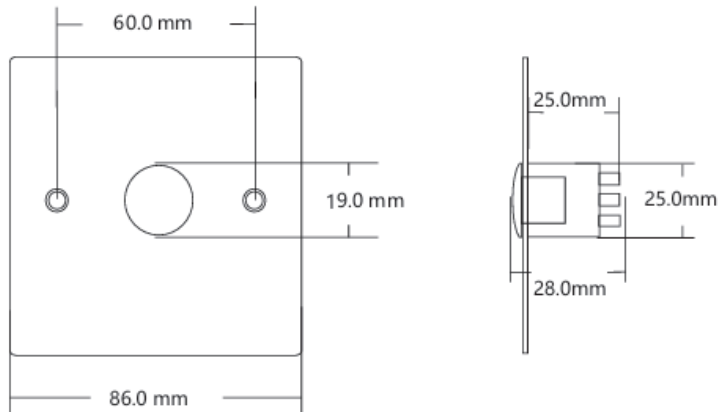
- NO/COM
- 1.8mm thick 304 stainless steel panel
- Optional Back box available

TECHNICAL PARAMETERS	
Model	NAC-9013SB
Size	86L x 86W x 25H mm
Weight	0.12Kg
Power Supply	DC 12V
Output Contact	NO/COM
Material	1.8 mm thick 304 stainless steel panel
Mechanical Life	500,000 Tested
Operating Temperature	-20°C ~ +55°C (-4°F ~ 131°F)
Operating Humidity	0-95% (RH)
Accessories	Metal Back box (Optional)

NAC-9013SB

Stainless Steel Exit Button with LED

DIMENSION



ORDERING INFORMATION

Part Number	Description
NAC-9013SB	Stainless Steel Exit Button with LED
NAC-9013BB	Metal Backbox for NAC-9013SB