

# 2MP IP MINI PIN HOLE CAMERA



## ENC-HMP5F-00R-74

### FEATURES

2.8 mm (Optional 2.1mm) Fixed lens

ONVIF Profile (S, G, T)

Triple streams

Audio & Alarm Support



### SPECIFICATION

| MODEL           | Model No.               | ENC-HMP5F-00R-74                                                                                                                                      |
|-----------------|-------------------------|-------------------------------------------------------------------------------------------------------------------------------------------------------|
|                 | Type                    | 2MP IP MINI PIN HOLE CAMERA                                                                                                                           |
| CAMERA          | Image Sensor            | 1/2.8" Progressive Scan CMOS                                                                                                                          |
|                 | Day/Night               | IR Cut Filter with Auto Switch                                                                                                                        |
|                 | Lens Type               | Pinhole lens, Fixed                                                                                                                                   |
|                 | Focus                   | Fixed                                                                                                                                                 |
|                 | Iris Type               | Fixed                                                                                                                                                 |
|                 | Focal Length            | 2.8 mm (Optional 21 mm)                                                                                                                               |
|                 | Angle of View (H)       | 113.9° (Optional 135.0°)                                                                                                                              |
|                 | Angle of View (V)       | 60.0° (Optional 75.6°)                                                                                                                                |
|                 | Angle of View (D)       | 128.5° (Optional 154.7°)                                                                                                                              |
|                 | Aperture Range          | 2.8 mm @ F2.0 (Optional 21 mm @ F1.8)                                                                                                                 |
|                 | Shutter                 | 1/5 ~ 1/20,000s, Auto / Manual                                                                                                                        |
|                 | Min. illumination       | Color: 0.01 Lux @ F2.0/F1.8 B/W: 0.001 Lux, 0 lux                                                                                                     |
|                 | AGC                     | Auto / Manual                                                                                                                                         |
|                 | Digital Noise Reduction | 2D & 3D DNR                                                                                                                                           |
| S/N Ratio       | ≥55 dB                  |                                                                                                                                                       |
| Defog           | Smart Defog             |                                                                                                                                                       |
| WDR             | 120dB                   |                                                                                                                                                       |
| VIDEO           | Max. Resolution         | 1920×1080                                                                                                                                             |
|                 | Video Compression       | Enhanced (H.265, H.264), H.265, H.264, MJPEG                                                                                                          |
|                 | Frame Rate              | Main Stream : (1920×1080, 1280×720) @ 25fps<br>Sub Stream : (704×576, 640×480, 640×360) @ 25fps<br>Third Stream : (640×480, 352×288, 320×240) @ 25fps |
|                 | Stream Settings         | i-Frame, PAL, Frame Rate                                                                                                                              |
|                 | Video Bit Rate          | 100kbps ~ 6Mbps                                                                                                                                       |
|                 | Bit Rate Type           | CBR, VBR                                                                                                                                              |
|                 | Image Settings          | Brightness, Contrast, Saturation, Sharpness, Day/Night(Color, Mono, Auto), Flip/Mirror/Rotation, Multiple Scene & Profile                             |
|                 | White Balance           | Auto / Manual                                                                                                                                         |
|                 | Corridor Mode           | Supported                                                                                                                                             |
|                 | HLC                     | Supported                                                                                                                                             |
|                 | BLC                     | Supported                                                                                                                                             |
|                 | OSD                     | Up to 7 regions                                                                                                                                       |
|                 | OSD Type                | Title, Week, Date, Time, Text with different colors and adaptable sizes, Image overlay                                                                |
|                 | ROI                     | Up to 8 regions                                                                                                                                       |
| Privacy Masking | Up to 4 regions         |                                                                                                                                                       |

★Product specification and availability are subject to change without notice.

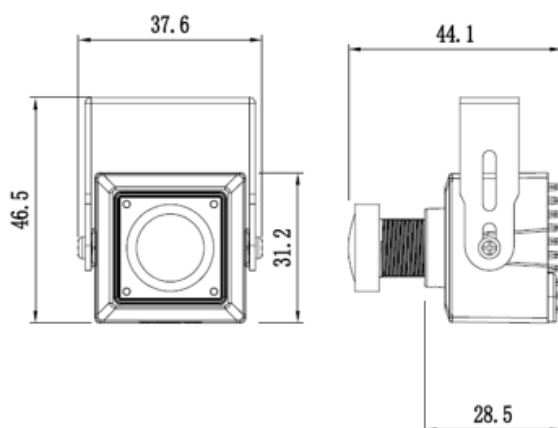
# 2MP IP MINI PIN HOLE CAMERA



## ENC-HMP5F-00R-74

|                  |                            |                                                                                                                                                                                                               |
|------------------|----------------------------|---------------------------------------------------------------------------------------------------------------------------------------------------------------------------------------------------------------|
| <b>MODEL</b>     | <b>Model No.</b>           | <b>ENC-HMP5F-00R-74</b>                                                                                                                                                                                       |
|                  | Type                       | 2MP IP MINI PIN HOLE CAMERA                                                                                                                                                                                   |
| <b>AUDIO</b>     | Audio Compression          | G.711A, G.711U, RAW_PCM                                                                                                                                                                                       |
|                  | Audio Bit Rate             | 8kbps, 16kbps, 64 kbps                                                                                                                                                                                        |
|                  | Audio I/O                  | 1 / 1                                                                                                                                                                                                         |
| <b>SMART</b>     | Behaviour Detection        | Intrusion (Perimeter), Crossline (Tripwire), Double Crossline (Double Tripwire)                                                                                                                               |
|                  | Intelligent Identification | Loitering                                                                                                                                                                                                     |
|                  | Statistical Analysis       | Face Detection, Wrong Way Detection, Human & Vehicle Detection, Alarm triggering                                                                                                                              |
|                  | Alarm Management           | Motion Detection, Input & Output Event, Network Alarm, Disk Alarm, Day Night Switch Alarm, Abnormal Audio Alarm, Pre/Post Alarm Recording, Alarm Recording/Snapshot                                           |
|                  | Alarm Notifications        | E-mail (Notification and Snapshot), HTTP (Alarm Icon ), FTP (Snapshot and Recording), SD Card (Recording)                                                                                                     |
| <b>INTERFACE</b> | Protocols                  | TCP/IP, UDP, IPv4, IPv6, HTTP, HTTPS, FTP, DHCP, DNS, RTSP, RTP, RTCP, PPPoE, NTP, UPnP, SMTP, 802.1x, ARP, SNMP, TLS/SSL                                                                                     |
|                  | Security                   | AES 128 / 256 Video Encryption, IP Filter, User Authentication (Multiple Privilege Level), 802.1X Authentication (EAP-MD5), HTTPS Authentication, RTSP Authentication, Digest Authentication, User Access Log |
|                  | Compatibility              | ONVIF Profile (S, G, T), SDK / CGI                                                                                                                                                                            |
|                  | Network                    | 1xRJ45 10/100M self adaptive Ethernet port                                                                                                                                                                    |
|                  | Alarm I/O                  | 2 / 1                                                                                                                                                                                                         |
|                  | Edge Storage               | SD card slot, up to 512 GB                                                                                                                                                                                    |
|                  | ANR                        | Supported                                                                                                                                                                                                     |
|                  | CVBS Output                | Supported                                                                                                                                                                                                     |
|                  | Max. User                  | 32                                                                                                                                                                                                            |
|                  | Client Application         | EyeGuard                                                                                                                                                                                                      |
| <b>GENERAL</b>   | Power Supply               | DC 12V                                                                                                                                                                                                        |
|                  | Power Consumption          | 3W                                                                                                                                                                                                            |
|                  | Working Temperature        | -30°C ~ 55°C                                                                                                                                                                                                  |
|                  | Working Humidity           | ≤90% RH                                                                                                                                                                                                       |
|                  | Casing                     | Metal                                                                                                                                                                                                         |
|                  | Reset button               | Supported                                                                                                                                                                                                     |
|                  | Dimensions                 | 37.6 x 44.1 x 46.5 mm                                                                                                                                                                                         |
| Net Weight       | 0.18 Kg                    |                                                                                                                                                                                                               |

Dimension Unit : mm



### ORDERING INFORMATION

| Part Number      | Description                                                                                          | Standard Quantity |
|------------------|------------------------------------------------------------------------------------------------------|-------------------|
| ENC-HMP5F-00R-74 | 2MP IP Mini Pin Hole Camera with 2.8mm (Optional 2.1mm) Fixed Lens, WDR , SD Card, & Smart Analytics | 1                 |

★Product specification and availability are subject to change without notice.

# 2MP IP MINI PIN HOLE CAMERA



**ENC-HMP5F-00R-74**

## PACKING INFORMATION

| Part Number      | Packing Mode | Gross weight(Kg) | Dimension(mm) |
|------------------|--------------|------------------|---------------|
| ENC-HMP5F-00R-74 | Carton Box   | -                | -             |