

WALL MOUNT CABINET

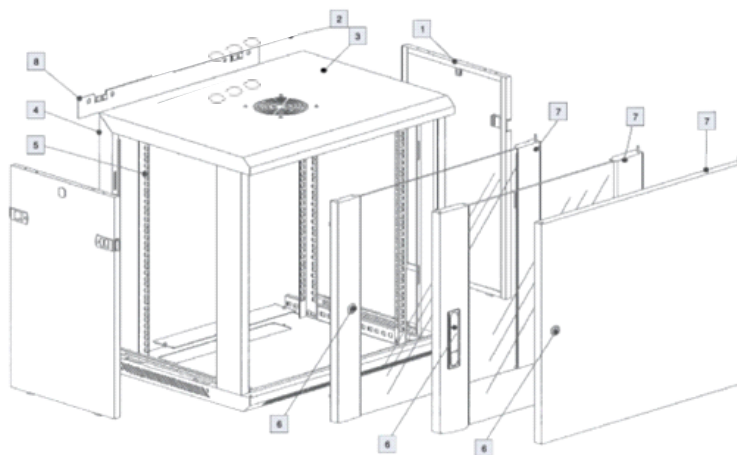


The Easycab range of wall cabinets is designed for the home/office environment. The cabinet's structure is painted with an electrostatic powder-coated finish. Easycab available in different sizes. Comply with DIN 41494

FEATURES

- Easy installation
- Standing or wall mounting installation
- Front toughened glass door along with lock and key
- Top panel with fan and cable entry provision
- Bottom panel with ventilation and cable entry provision
- Removable side panel Welded frame

Material	Cold Rolled and Cold Annealed [CRCA]
Degree of protection	IP20
Surface finish	Powder coated
Type	Wall Mount
Frame Type / Construction	Welded
Front Door	145-degree opening type lockable toughened glass door
Side Panels	Integrated
Cable Access	Top & bottom cable entry
Loading capacity	Max 45 kgs



STRUCTURE

- 1.Side panel
- 2.Cable entry cover
- 3.Fan cover
- 4.Frame
- 5.Mounting profile
- 6.Lock
- 7.Front door
- 8.Mounting panel

WALL MOUNT CABINET

ORDERING GUIDE

Cabinet & Types		Cabinet Height	Cabinet Width	Cabinet Depth	Front & Rear Door Types		Colour (X)	Loaded Accessories
Cabinet	Type				Front Door	Rear Door/ Rear Frame		
20B	1: Single Section	"UU"	5 : 500 mm	C : 400 mm	1: Glass	0: None		L1 : 1U Cable Manager + 5 Amp 6 Way PDU L2 : 1U Cable Manager + 5/15 Amp 6 Way PDU C1 : Cable Manager 00 : None
			P : 540 mm	U : 435 mm	2: Metal	2: Metal		
			K : 550 mm	4 : 450 mm	3: Perforated			
			6 : 600mm	E : 500 mm				
	S : 650 mm		5 : 550 mm					
	Q : 675 mm		6 : 600mm					
	7 : 700mm		7 : 700mm					
	8 : 800mm		R : 750mm 8 : 800mm					

X: R2: (RAL 7035) , R8 : (RAL 7037)

**** A bottom support L-Angle comes along with the Wall Mount Cabinet above 15U-22U. ****

**** If customization of PDU is required (eg: surge protector , MCB etc) , propose separate part code from our PDU product range. ****

**** By default Horizontal Cable Manager is with Base Metal/Loop Plastic. If customized cable manager is required select part code from Optional Accessories table. ****

**** For Single Section Cabinet, if Rear Door/Rear Frame is selected as 2 : Metal, the rear side will be metal frame instead of door. ****

**** For Double Section Cabinet , only 2 : Metal should be selected for Rear Door / Rear Frame. Here Rear Door will be provided. ****

Part no & Description Example:

20B1 — 12 — 6 — 6 — 1 — 0 — X — L1

Description: 12U 600 x 600 Single section Front Glass W/M Cabinet loaded with 1U Base Metal/ Loop Plastic Horizontal Cable Manager and 5 Amp 6 Way PDU.

20B1 — 12 — 6 — 6 — 1 — 0 — X — C1

Description: 12U 600 x 600 Single section Front Glass W/M Cabinet loaded with 1U Base Metal/ Loop Plastic Horizontal Cable Manager.

20B1 — 22 — 6 — 6 — 1 — 0 — X — C1

Description: 22U 600 x 600 Single section Front Glass W/M Cabinet loaded with 1U Base Metal/ Loop Plastic Horizontal Cable Manager and with Bottom Support L-Angle

ACCESSORIES

Default Accessories	
Fan-90 CFM, 230V AC, 50Hz with Wire & Plug	
Mounting Hardware (Pack of 20)	
Optional Accessories	
Part No	Description
1515-4201X	1U ABS Plastic Horizontal Cable Manager with Cap
1515 -5101X	1U Base Metal/Loop Metal Horizontal Cable Manager
151C-A01X	1U Cantilever Tray
151S-F01X	1U Sliding Shelf
151F-L01X	1U Fixed Shelf