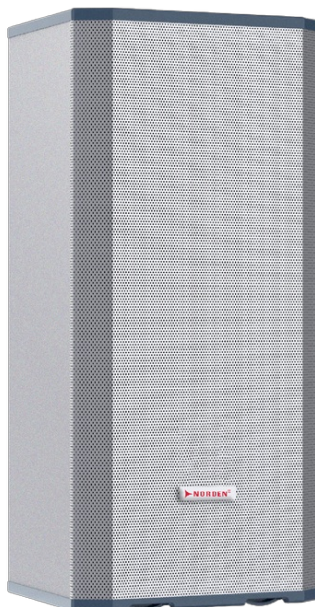


IP/SIP Column Speaker 30W

IP Based PA System



DESCRIPTION

NVS-IP100018SP is an IP based column loud speaker with an IPX5 rating that may be utilize outside for applications such as public address, music streaming, pre-recorded message transmission, and scheduled announcements. It's best used in parks, playgrounds, and outdoor plazas. It is an all-in-one design, integrated with network audio decoding, digital amplifier and loud speaker unit.

FEATURES

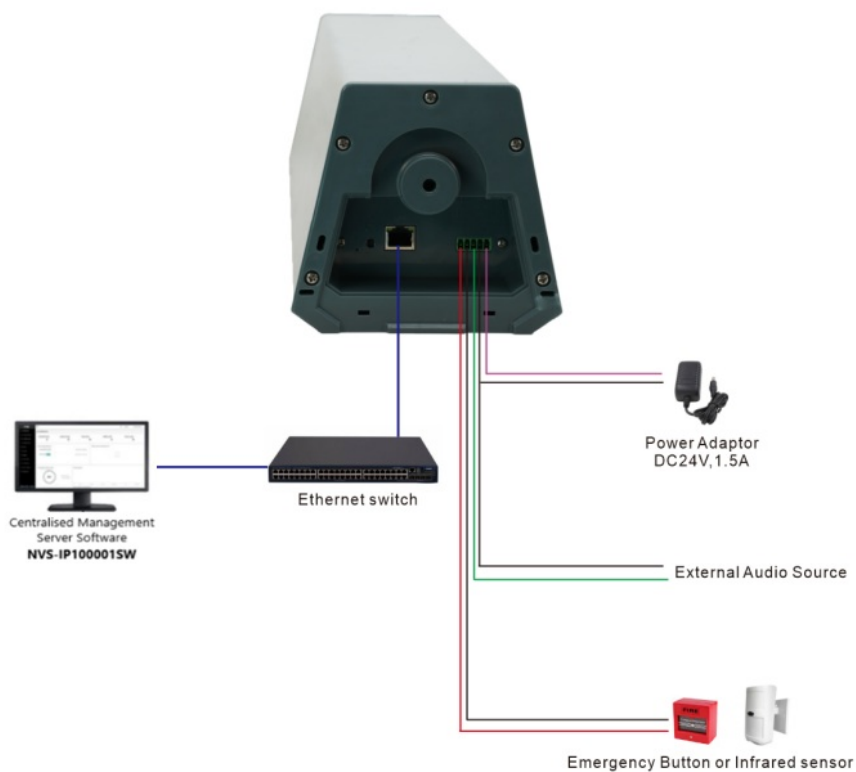
- ⦿ All-in-one design integrating network audio decoding, digital amplification, and a loudspeaker unit
- ⦿ External audio source connectivity via a line input interface
- ⦿ Mobile phone Bluetooth compatibility for music streaming
- ⦿ Fully compliant with standard SIP protocols for seamless integration with top SIP PBX systems like Asterisk, Cisco, and Yeastar
- ⦿ Web-based parameter configuration and remote firmware upgrade support
- ⦿ POE (Power Over Ethernet) power supply, ensuring a simplified and flexible installation process

| Specifications | |
|---------------------------|-------------------------------------|
| Model | NVS-IP100018SP |
| Power Supply | DC24V, 1.5A or PoE |
| Standby Power Consumption | ≤2W |
| Power Output | 30W (DC24V) / 15W (POE) |
| Audio Codec | G711u/a, G722 (ADPCM), PCM, MP3 |
| Audio Sampling & Bit Rate | 8kHz~44.1kHz, 16bit, 16kbps~320kbps |
| Signal to Noise Ratio | ≥83dB |
| Frequency Response | 45Hz-18KHz (±3dB) |
| Sensitivity (1M/1W) | 87dB |
| Network Interface | 10BASE-T/100BASE-TX RJ45 |
| Network Protocol | TCP/IP(IPv4), UDP, HTTP, SIP |
| Configuration Method | Web Interface |

IP/SIP Column Speaker 30W

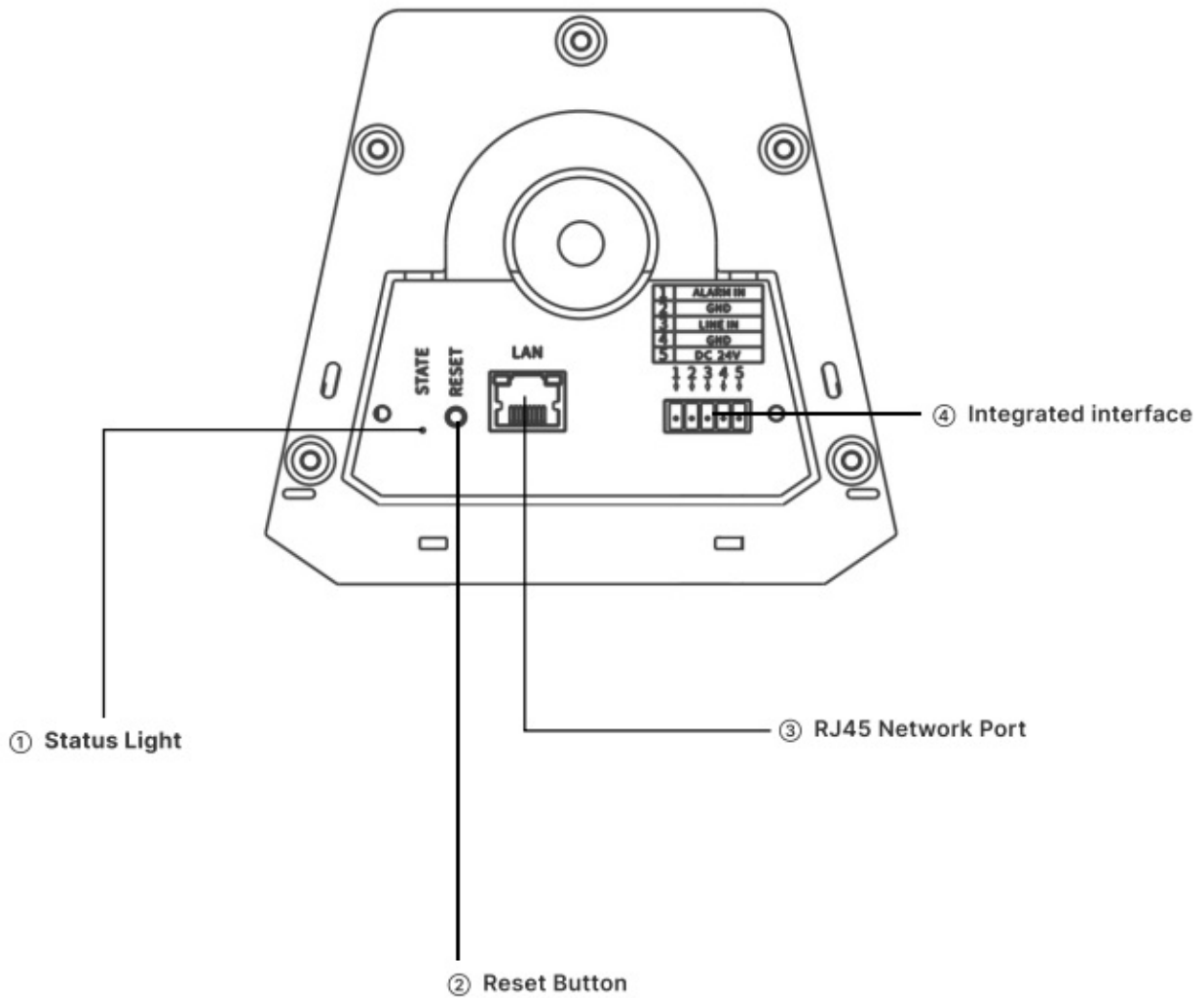
| | |
|--------------------------|-------------------------|
| Mounting Method | Wall Mounted |
| Installation Environment | Outdoor Locations |
| Operating Temperature | -10°C~+55°C |
| Operating Humidity | <90% RH Non Condensing |
| Shell Colour & Material | White & Aluminium Alloy |
| Net Colour & Material | White & Steel |
| Net Surface Treatment | Powder Spraying |
| Bracket Material | Steel |
| Protection Level | IPX5 |
| Product Dimensions | 296x140x130 mm |
| Product Weight | 1.75 Kg |

CONNECTION DIAGRAM



IP/SIP Column Speaker 30W

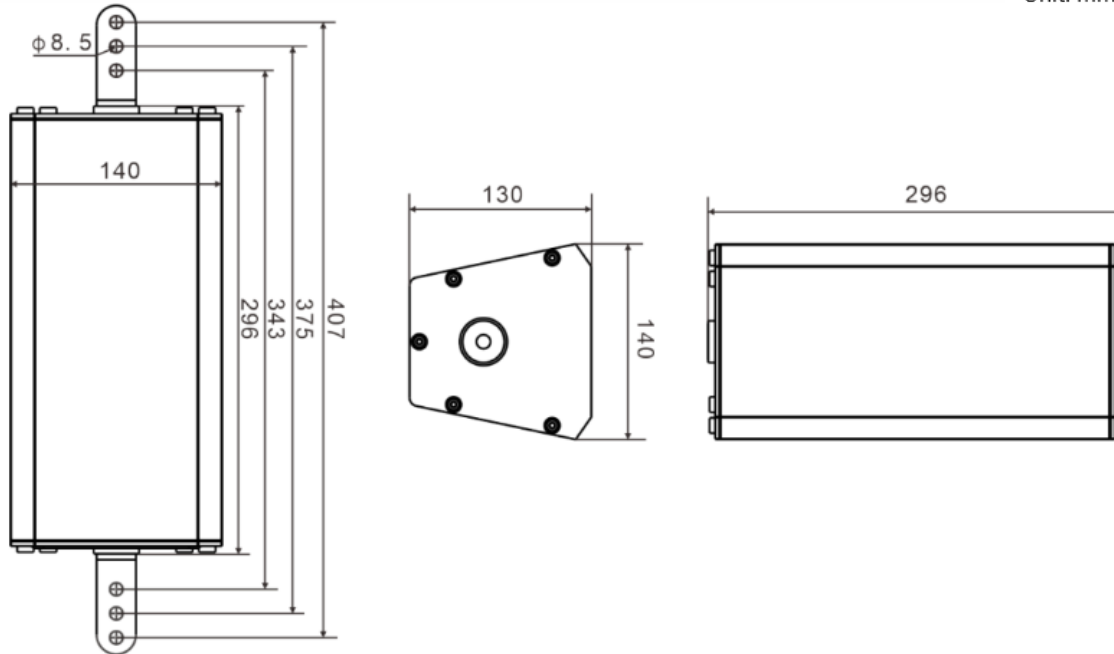
Input Connection



IP/SIP Column Speaker 30W

DIMENSION

Unit: mm



ORDERING INFORMATION

| Part Number | Description | Standard Quantity |
|----------------|---------------------------|-------------------|
| NVS-IP100018SP | IP/SIP Column Speaker 30W | 01 |

ACCESSORIES INFORMATION

| Description | Standard Quantity |
|--------------------------|-------------------|
| Quick Installation Guide | 01 |
| Certificate and warranty | 01 |
| Extension Board | 01 |
| Screw (M8*14) | 03 |
| Mounting Bracket | 02 |
| Terminal (3.5-5P) | 01 |
| Screw Nut (M8) | 01 |
| Gasket (M8) | 01 |