

IP/SIP Ceiling Speaker



DESCRIPTION

The NVS-IP100017SP is a SIP compliant and multicast capable PoE network audio device for public address and notification. It supports common network protocols for easy integration with SIP compatible VOIP system. The speaker can be configured from user friendly browser interface. The speaker comes with features like automatic volume control, fault detection etc. It can be configured for playing scheduled tasks from server.

FEATURES

- ◉ Employs an industrial-grade, fast dual-core (ARM+DSP) CPU for increased processing capability
- ◉ Features crystal-clear voice paging with both broadband (G.722) and narrowband (G.711a/u) encoding options
- ◉ Supports receiving paging from SIP phones through 10 dedicated multicast addresses
- ◉ Offers a multicast scalability feature and efficiently saving SIP account resources
- ◉ Fully compliant with standard SIP protocols for seamless integration with top SIP PBX systems like Asterisk, Cisco, and Yeastar
- ◉ Facilitates background music, emergency paging and alarm signals from the NORDEN management system
- ◉ Features dynamic volume control that automatically adjusts based on ambient noise
- ◉ Offers flexible deployment with PoE or PoE+ Interface support
- ◉ Equipped with online upgrading capabilities and remote management for continuous system improvement

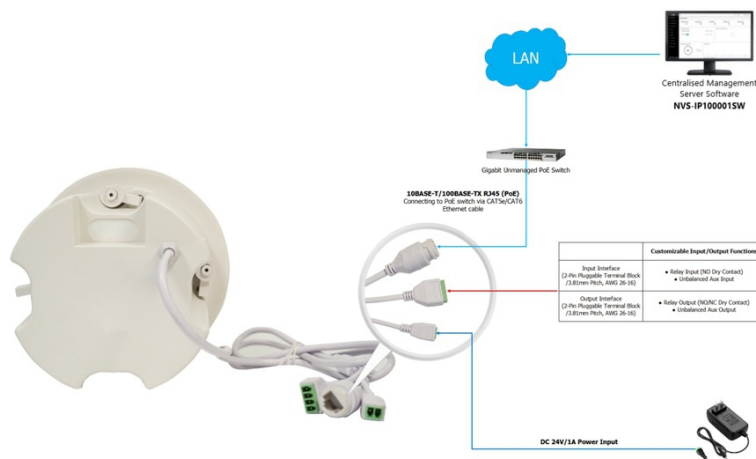
Specifications	
Model	NVS-IP100017SP
Power Supply	24V/1A, PoE (IEEE 802.3af), PoE+ (IEEE802.3at)
Standby Power Consumption	≤3W
Rated Power Output	20W (at DC 24V/1A powered)
	20W (at PoE+ powered)
	15W(at PoE Powered)
Audio codec	G.711A-law, G.711μ-law, G.722
Sensitivity (1W, 1m)	88dB±3dB
Maximum SPL (1m)	97dB±3dB
Signal to Noise ratio	≥80dB
Audio Sampling & Bit Rate	8kHz~44.1kHz, 16bit, 8kbps~320kbps
Frequency response	100Hz~18kHz
Network Interface	10BASE-T/100BASE-TX RJ45
Network Protocols	SIP (RFC3261),FTP,HTTP,TCP/IP,UDP,ARP,ICMP,IGMP

NVS-IP100017SP

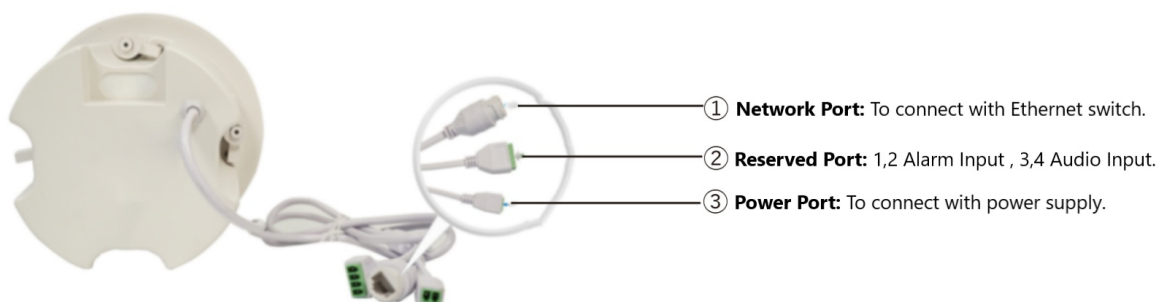
IP/SIP Ceiling Speaker

Configuration Method	Web Interface or DevConfig Tool
Mounting Method	Ceiling Mount
Installation Environment	Dry Indoor Locations Only
Operating Temperature	-20°C~+50°C (4°F~122°F)
Operating Humidity	10%~90% RH (Non-Condensing)
Driver Size	5 Inch Coaxial
Body Material	ABS Composite Plastic
Grille material	Steel
Body Colour	Off white
Product Dimensions	Ø213 x 165 mm
Product Weight	1.4kg
Packaging	Carton Box
Packed Dimension	260x250x240 mm
Packed Weight	2.4 Kg

CONNECTION DIAGRAM



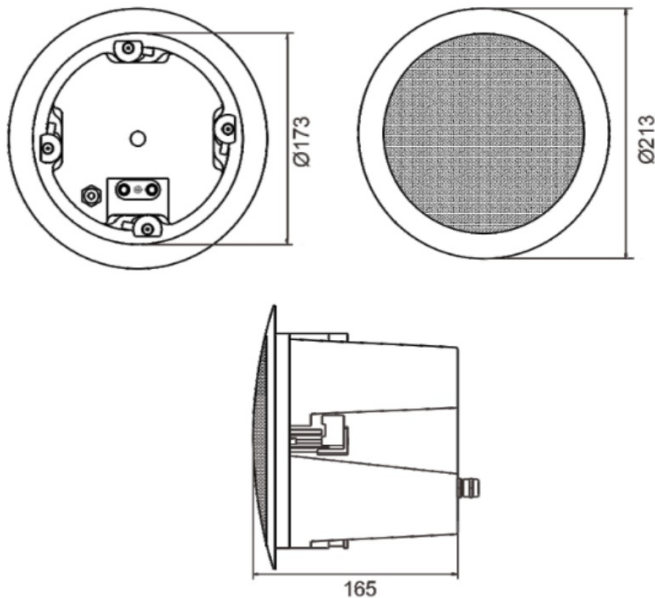
Input Connection



NVS-IP100017SP

IP/SIP Ceiling Speaker

DIMENSION



ORDERING INFORMATION

Part Number	Description	Standard Quantity
NVS-IP100017SP	IP/SIP Ceiling Speaker	01

ACCESSORIES INFORMATION

Description	Standard Quantity
2 Pin Pluggable Terminal Block Connector (3.81mm Pitch, AWG 26-16)	01
Waterproof Joint	01
Quick Installation Guide	01
Quality Certificate & Warranty Card	01