

Integrated Wireless Transmitter



DESCRIPTION

The Integrated Wireless Transmitter delivers high-quality wireless audio with a frequency range of 750-759 MHz, ensuring excellent range and signal penetration. This versatile device combines several functions into one unit: it includes a Bluetooth player, an MP3 player, a digital recorder with significant storage capacity, a preamplifier, a karaoke reverberator, and a conference microphone. The transmitter is engineered to provide stable and interference-free performance, making it easy to set up and reducing the need for complex installations. This integration streamlines the audio setup process, making it both cost-effective and efficient.

FEATURES

- ◉ Superior sound quality with 750-759 MHz frequency, offering better range and penetration than Bluetooth and Wi-Fi
- ◉ Reduces installation costs and enhances mobility with wireless operation
- ◉ Dual frequency and code recognition prevent interference even with multiple systems nearby
- ◉ Integrates Bluetooth, MP3 player, recorder, preamplifier, karaoke reverberator, and microphone
- ◉ Includes automatic volume adjustment and an additional mic input
- ◉ One line input (for various devices) and one line output (for external amplifiers)
- ◉ Includes two active and two passive speakers; insect-resistant and clear-sounding

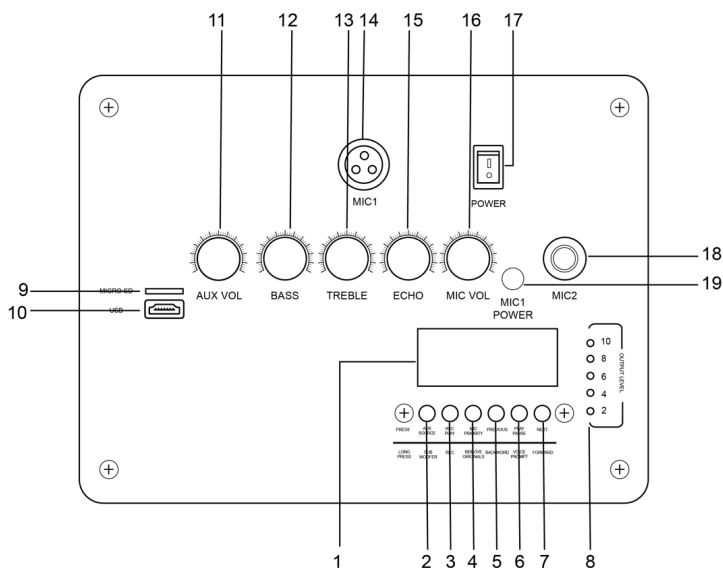
Specifications

Model	NVS-30030005MP
Voltage	DC9V
AUX Input Sensitivity	500±50mv
SNR	≥85dB
Freq. Response	80Hz-16KHz (±3dB)
THD	≤0.5% (1KHz, in normal working condition)
Base range	10dB (100Hz)
Treble range	10dB (10kHz)
Rated power consumption	5W
Dimension	200×149×58mm
Weight	0.95kg

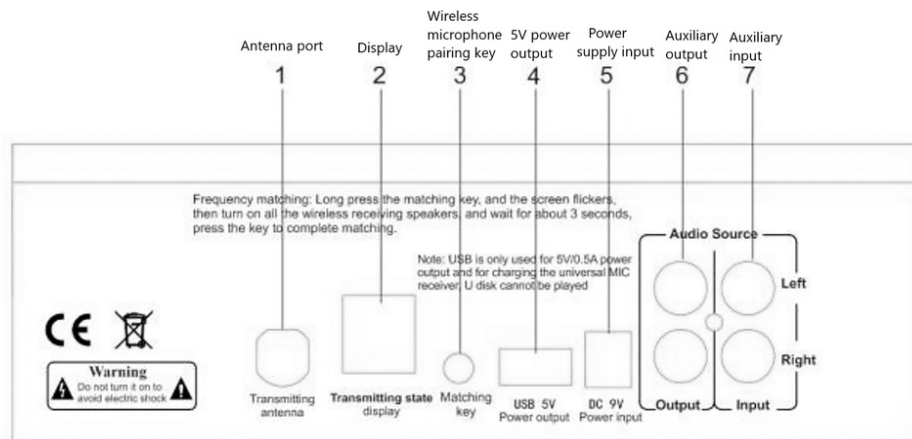
Integrated Wireless Transmitter

FRONT PANEL

1. Display
2. Audio source selection key
3. MP3 / Record key
4. MIC priority key
5. Previous track key
6. Play / Pause key
7. Next track key
8. Signal indicator
9. Micro SD Card (TF Card) interface
10. USB interface
11. Aux volume control
12. Bass volume control
13. Treble volume control
14. Gooseneck MIC input
15. MIC Echo control
16. MIC volume control
17. Power switch
18. MIC input
19. Gooseneck Mic Power Switch



REAR PANEL



NVS-30030005MP



Integrated Wireless Transmitter

ORDERING INFORMATION

Part Number	Description	Standard Quantity
NVS-30030005MP	Integrated Wireless Transmitter	01

ACCESSORIES INFORMATION

Description	Standard Quantity
User manual	01
Host with Gooseneck mic, power adapter and antenna	01
2 Master speaker with power adapter	01