

**NVS-11110030HS**

# Explosion proof Horn Loudspeaker 30W



Horn Speaker

## DESCRIPTION

The NVS-11110030HS is an explosion-proof Horn Speaker with sufficient mechanical strength. It has high sensitivity and efficiency in terms of electricity/sound. This product is used for its strong fire resistance and does not emit any toxic gases or pollute the environment. It is suitable for broadcasting, paging, and emergency broadcasting in chemical plants, gas stations, and other locations where there is a risk of explosion from methane mixtures, petroleum, or other toxic gases.

## FEATURES

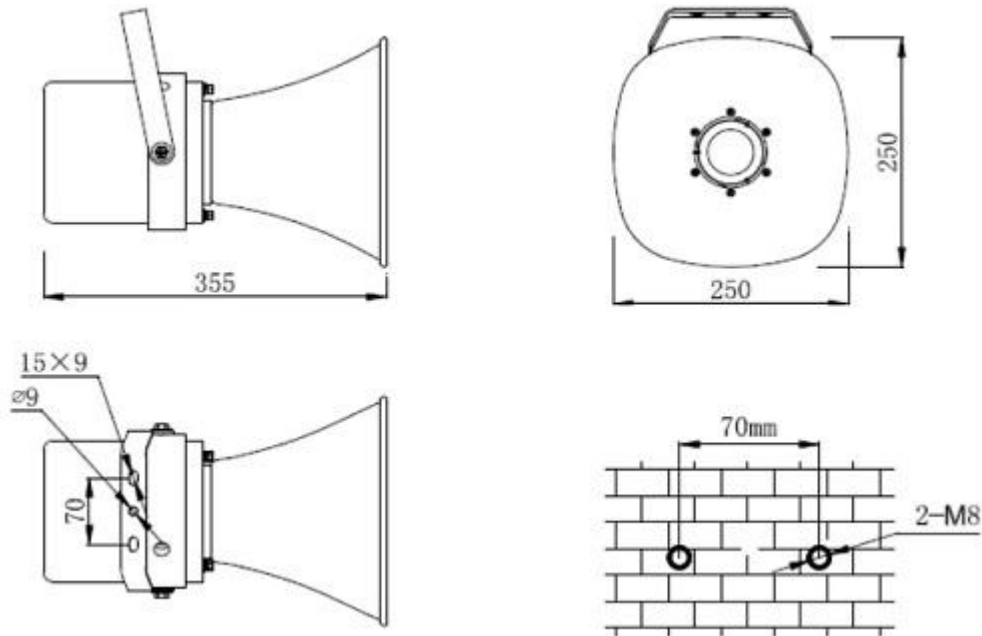
- ◉ Fireproof is the explosion proof type
- ◉ Degree of protection is IP54
- ◉ Suitable for emergency broadcasting in chemical plants, gas stations
- ◉ High sensitivity and efficiency
- ◉ Strong fire resistant
- ◉ Does not emit any toxic gases or pollute the environment

Specifications	
Model	NVS-11110030HS
Rated Power	30W
Frequency Response	400Hz-10kHz
Power Tapping Options	15/30W
Input Voltage/Impedance	70V/100V
Coverage Angle	120°
Sensitivity(1m,1w)	105±2dB
Maximum SPL(1m)	118±2dB
Degree of Protection	IP54
Operating temperature	-50°C~+70°C
Weight	7.2 kg
Dimension	252×252×355mm

**NVS-11110030HS**

# Explosion proof Horn Loudspeaker 30W

## DIMENSION



## ORDERING INFORMATION

Part Number	Description	Standard Quantity
NVS-11110030HS	Explosionproof Horn Loudspeaker 30W	01

## ACCESSORIES INFORMATION

Description	Standard Quantity
User Manual	01
Certificate	01
Warranty Card	01