

# Remote Paging Microphone For 8x8 Matrix System



## DESCRIPTION

The NVS-PA0002008PM is a remote paging MIC for NVS-PA0001008MP digital audio matrix public address system. Each MIC control 8 zones. Each zone can realize independent control or one key switch and it supports multi-level extension.

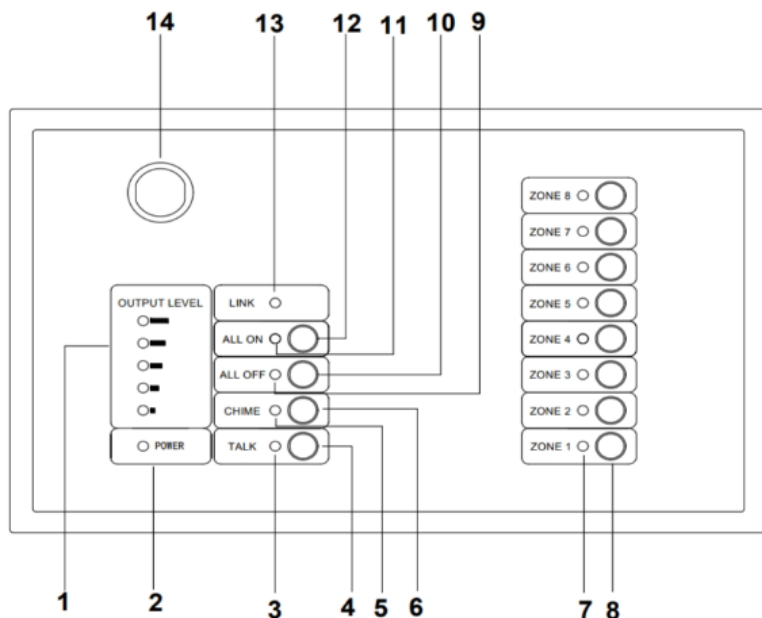
## FEATURES

- ◉ Built-in 2 kinds of chime signal
- ◉ Support 8 zones
- ◉ Precise signal level indication.
- ◉ Microphone and chime volumes are adjustable.
- ◉ Utilizes an RJ45 interface for microphone connectivity
- ◉ Supports cascade linkage
- ◉ Goose-neck microphone

Specifications	
Model	NVS-PA0002008PM
MIC Frequency Response	100Hz~15kHz (±3dB)
Total Harmonic Distortion	<0.5% @1KHz
MIC1 input sensitivity	45±5 mV
Net port Input Sensitivity (Balance)	2000±100 mV
Net port Output Voltage (Balance)	2000±100 mV
Noise	<1.5mV
Chime Rated Output Level	≤1000 mV
Power Supply	~220V/50Hz
Weight	2.0Kg
Dimension	231.5×145.5×67.5mm

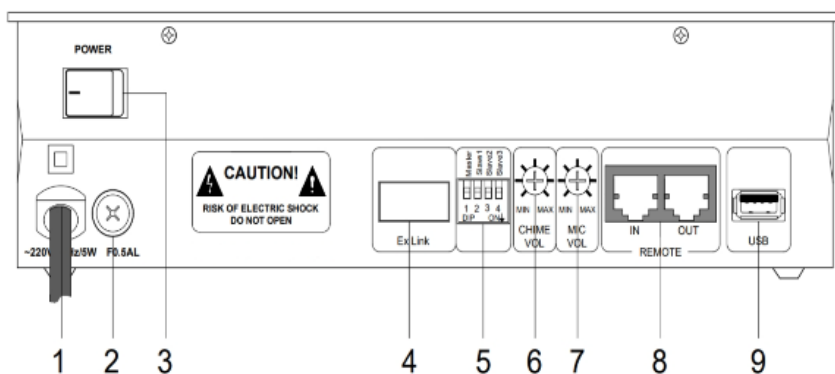
# Remote Paging Microphone For 8x8 Matrix System

## FRONT PANEL



- 1. Output Level Indicator
- 2. Power indicator
- 3. TALK indicator
- 4. TALK switch button
- 5. CHIME indicator
- 6. CHIME switch button
- 7. Zone working indicator
- 8. Zone switch button
- 9. One button to turn off all zones indicators together
- 10. One button ALL OFF to turn off all zones together
- 11. One button ALL ON to turn on all zones together
- 12. One button to turn on all the zone indicators together
- 13. LINK indicator
- 14. Microphone interface

## REAR PANEL



- 1. AC power input
- 2. AC fuse
- 3. Power switch
- 4. Extended interface
- 5. Connect host address
- 6. Chime volume adjustment knob
- 7. Microphone volume adjustment knob
- 8. Extended interfaces TEST and OUT
- 9. Test interface

# Remote Paging Microphone For 8x8 Matrix System

## ORDERING INFORMATION

Part Number	Description	Standard Quantity
NVS-PA0002008PM	Remote Paging Microphone For 8x8 Matrix System	01

## ACCESSORIES INFORMATION

Description	Standard Quantity
1500MM/Audio cable	01
Microphone stick	01
Microphone cap(black)	01
Certificate	01
Warranty card	01
User Manual	01