

NAC-9011EB

No Touch Exit Button



DESCRIPTION

The NAC-9011EB is a No touch Exit button comes with Infra-Red induction switch which can be operated without touching the button. The button panel is made of Stainless Steel plate which can be easily installed on a hollow door.

APPLICATION

Office areas, schools, communities, office buildings, hotels, shopping malls, shops, public service places, etc.

FEATURES

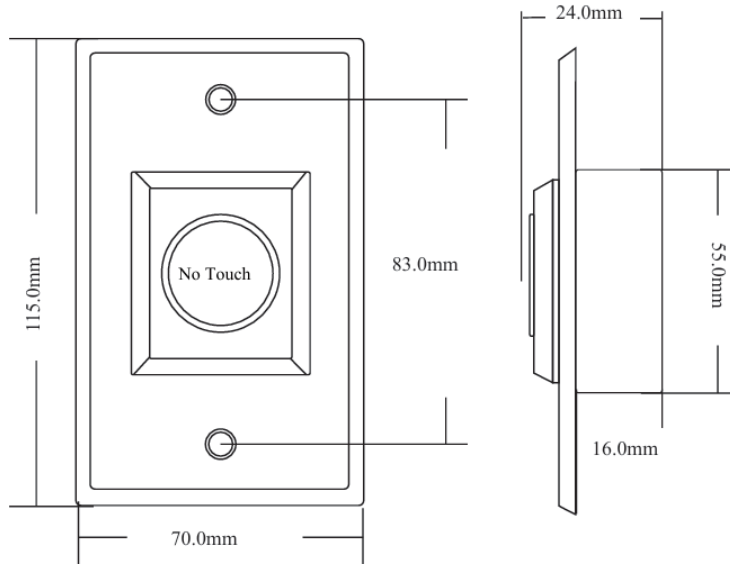
- NO/NC/COM
- Voltage ranges between DC 12~24V
- Standby Blue LED, Active Green LED
- Standard structure of Stainless steel panel
- Suitable for Hollow door
- Optional Zinc Alloy Backbox available

TECHNICAL PARAMETERS	
Model	NAC-9011EB
Size	115L x 70W x 16H mm
Power Supply	DC 12-24V
Output Contact	NO/NC/COM
Sensitive Distance	5-15cm (Adjustable)
LED Indicator	Standby blue, Response green
Standard Structure	Stainless steel Panel
Mechanical Life	500,000 Tested
Suitable for Door	Hollow Door
Accessories	Zinc Alloy Back box (Optional)
Operating Temperature	-20°C ~ +55°C (-4°F - 131°F)
Operating Humidity	0-95% (RH)
Product Weight	0.13Kg

NAC-9011EB

No Touch Exit Button

DIMENSION



ORDERING INFORMATION

Part Number	Description
NAC-9011EB	No Touch Exit Button
NAC-9011BB	Metal Backbox For NAC-9011EB