

## NAC-9001DS

# Door Exit Switch Plastic



### DESCRIPTION

The NAC-9001DS is a Door Exit Switch which is made of ABS material and has an operational temperature ranging from -20°C ~ +55°C. It requires a power supply of DC 12V.

### APPLICATION

Office areas, schools, communities, office buildings, hotels, shopping malls, shops, public service places, etc.

### FEATURES

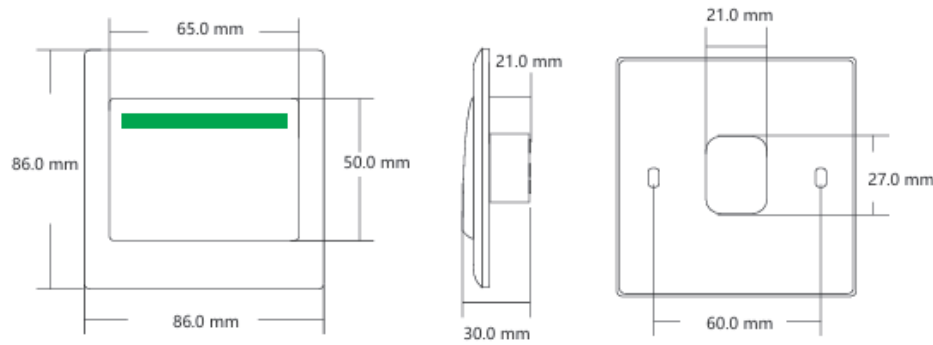
- NO/NC/COM
- Comes with green luminous strip
- Made of ABS material

TECHNICAL PARAMETERS	
Model	NAC-9001DS
Size	86L x 86W x 21H mm
Output Contact	NO/NC/COM
Power Supply	DC 12V
Material	ABS
Weight	0.065Kg
Mechanical Life	500,000 Tested
Accessories	Optional Back Box
Operational Temperature	-20°C ~ +55°C (-4°F~131°F)
Operational Humidity	0-95% (RH)

NAC-9001DS

## Door Exit Switch Plastic

### DIMENSION



### ORDERING INFORMATION

Part Number	Description
NAC-9001DS	Door Exit Switch Plastic