

PLASTIC WATERPROOF JOINT FOR ENH-DJ6600



ENH-WJ0000

FEATURES

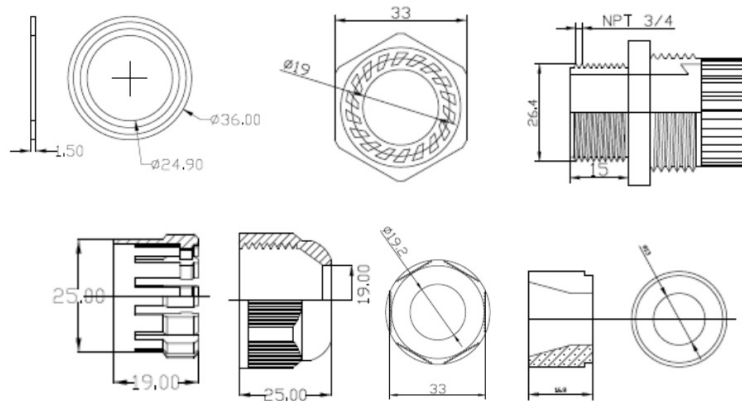
Waterproof
Indoor and Outdoor Application
Compatible with ENH-DJ6600



SPECIFICATION

MODEL	Model No.	ENH-WJ0000
	Type	PLASTIC WATERPROOF JOINT FOR ENH-DJ6600
GENERAL	Construction	Plastic
	Color	White
	Application	Indoor and Outdoor
	Dimensions	Ø 37 × 46 mm
	Weight	0.023 kg

Dimension Unit : mm



ORDERING INFORMATION

Part Number	Description	Standard Quantity
ENH-WJ0000	NPT 3/4" Plastic WaterProof Joint for ENH-DJ6600	1

PACKING INFORMATION

Part Number	Packing Mode	Gross weight(Kg)	Dimension(mm)
ENH-WJ0000	Carton Box	-	37x37x46

★Product specification and availability are subject to change without notice.