

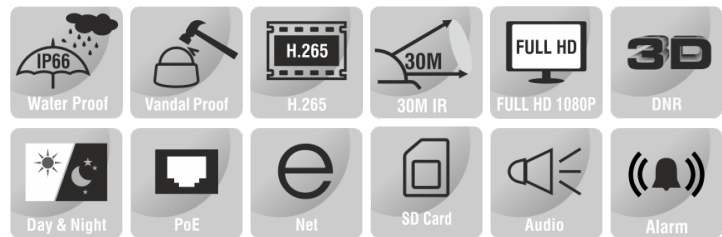
2MP MOTORIZED VANDAL DOME CAMERA



ENC-HVD5M-30R-94

FEATURES

Starlight Illumination
2.7-13.5 mm Motorized Lens
Smart IR up to 30m
ONVIF Profile (S, G, T)
Triple Stream
Audio and Alarm Support
PoE, IP66, IK10



SPECIFICATION

MODEL	Model No.	ENC-HVD5M-30R-94
	Type	2MP MOTORIZED VANDAL DOME CAMERA
CAMERA	Image Sensor	1/2.8" CMOS Progressive 2.0 MegaPixel
	Day/Night	IR Cut Filter with Auto Switch
	Lens Type	Motorized
	Focal Length	2.7-13.5 mm
	Focus	Auto / Manual
	Iris	DC Auto Iris
	Lens Mount	Φ14
	Angle of View (H)	105.6° ~ 29.0°
	Angle Adjustment	Pan 0~330°, Tilt 0~75°, Rotate 0~350°
	Aperture Range	F1.6 ~ F3.3
	Shutter	1s to 1/100,000s
	Min. Illumination	Color: 0.001 lux @ F1.6, B/W: 0 lux with IR
	AGC	Auto / Manual
	Digital Noise Reduction	3D DNR
	S/N Ratio	55 dB
	Defog	Smart Defog
	WDR	120 dB
Smart IR	Up to 30 m	
Wavelength	850 nm	
White LEDs	N/A	

2MP MOTORIZED VANDAL DOME CAMERA



ENC-HVD5M-30R-94

MODEL	Model No.	ENC-HVD5M-30R-94
	Type	2MP MOTORIZED VANDAL DOME CAMERA
VIDEO	Max. Resolution	1920x1080
	Video Compression	H.265+, H.265, H.264
	Frame Rate	Main Stream: (1920x1080, 1280x720, 704x480, 640x480) @ 30fps, (1920x1080, 1280x720, 704x576, 640x480) @ 25fps Sub Stream: (704x480, 704x240, 640x360, 352x240) @ 30fps, (704x576, 704x288, 640x360, 352x288) @ 25fps Third Stream: (704x480, 704x240, 352x240) @ 30fps, (704x576, 704x288, 352x288) @ 25fps
	Stream Settings	i-Frame, PAL/NTSC, Frame Rate (1~30FPS), EIS, SVC
	Video Bit Rate	32 kbps ~ 6 Mbps
	Bitrate Type	CBR, VBR
	Image Settings	Brightness, Contrast, Saturation, Hue, Sharpness, Rotation/Mirror, Gain, Exposure, Day/Night
	White Balance	Auto, Semi Auto, Sunshine, Daylight, Warm Light, Filament, Nature Light, Lock WB, Manual
	HLC	Supported
	BLC	Supported
	OSD	Total 8 regions
	OSD Type	Title, Week, Date, Time, Text with different colors and adaptable sizes (16x16, 32x32, 48x48)
	ROI	Up to 8 regions
	Privacy Mask	Up to 4 regions
AUDIO	Audio Compression	G.711A, G.711U, ADPCM_D
	Audio Bit Rate	8 kbps ~ 48 kbps
	Audio I/O	1/1
	Audio Voltage	Input: Level 5V, Input Impedance 1500 ohms Output: Level 3V, Output Impedance 100 ohms
	Built-in Mic	Supported with noise cancellation
SMART	Behavior Detection	Intrusion (Perimeter), Crossline (Tripwire)
	Intelligent Identification	N/A
	Statistical Analysis	N/A
	Alarm Management	Motion Detection, Tampering (Masking), Input & Output Event, IP & MAC Address Conflict, Disk Alarm (Full & R/W Error), FTP Server Exception, Abnormal Voltage, Pre/Post Alarm Recording, Alarm Recording/Snapshot
INTERFACE	Protocols	TCP/IP, UDP, IPv4, ICMP, HTTP, FTP, DHCP, DNS, DDNS, RTP, RTSP, NTP, UPnP, P2P
	Security	AES Video Encryption, IP Filter, User Authentication (Multiple Privilege Level)
	Compatibility	ONVIF Profile (S, G, T), SDK/API/CGI
	Network	1 x RJ45 10M/100M Self Adaptive Ethernet Port
	Wi-Fi	N/A
	Alarm Interface	1 Input / 1 Output
	Alarm Voltage	Input (switch type) , Output (3.3V-12V, 10 ohm)
	RS485	N/A
	RS232	N/A
	USB	N/A
	Edge Storage	Micro SD card slot, up to 512 GB
	ANR	Supported
	Built-in Speaker	N/A
	Built-in Heater	N/A
	Cable Interface	Pig Tail
	Remote Connection	≤7
Web Client	EyeConnect	
Web Language	16	

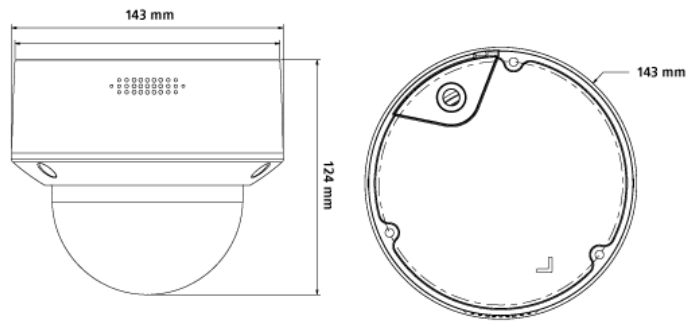
2MP MOTORIZED VANDAL DOME CAMERA



ENC-HVD5M-30R-94

MODEL	Model No.	ENC-HVD5M-30R-94
	Type	2MP MOTORIZED VANDAL DOME CAMERA
GENERAL	Power Supply	12V DC, PoE (IEEE 802.3af)
	Max, Power Consumption	6 W (12V DC), 8 W (PoE)
	Working Temperature	-35 °C ~ 60 °C
	Working Humidity	0-95% RH (non-condensing)
	Ingress Protection	IP66
	Vandal Resistant	IK10
	Surge Protection	Supported
	Reset Button	Supported
	Dimensions	Φ143×124 mm
	Net Weight	0.86 Kg

Dimension Unit : mm



ORDERING INFORMATION

Part Number	Description	Standard Quantity
ENC-HVD5M-30R-94	2MP Starlight IR IP Vandal Proof Dome Camera with 2.7-13.5mm Motorized Lens, PoE, WDR, SD card slot, Built-in Mic and 30m IR Support	1

PACKING INFORMATION

Part Number	Packing Mode	Gross weight(Kg)	Dimension(mm)
ENC-HVD5M-30R-94	Carton Box	-	-