

# WALL MOUNT BRACKET FOR BULLET CAMERA



## ENB-BZUW68

### FEATURES

Stainless Steel Construction

Max. Load Support up to 100Kg

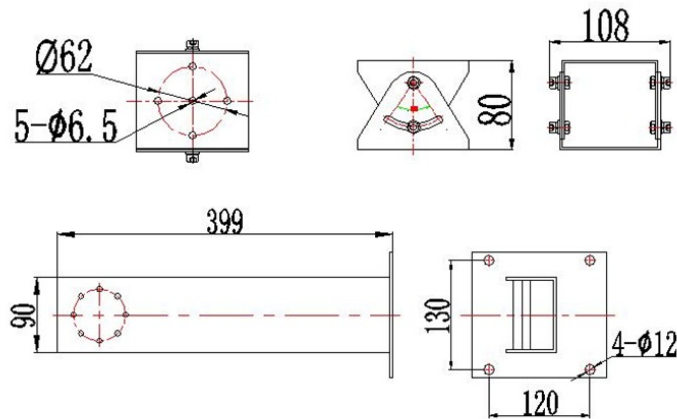
Wall Mount Bracket for Camera



### SPECIFICATION

MODEL	Model No.	ENB-BZUW68
GENERAL	Type	WALL MOUNT BRACKET FOR BULLET CAMERA
	Construction	304/316L Stainless Steel
	Max. Load Support	100 Kg
	Dimensions	399 x 150 x 160 mm (Wall Bracket), 100 x 108 x 80 mm (Mount Adaptor)
	Weight	1.5 Kg (Wall Bracket), 0.6 (Mount Adaptor)

Dimension Unit : mm



### ORDERING INFORMATION

Part Number	Description	Standard Quantity
ENB-BZUW68	Wall Mount Bracket for Norden Bullet Camera	1

### PACKING INFORMATION

Part Number	Packing Mode	Gross weight(Kg)	Dimension(mm)
ENB-BZUW68	Carton Box	-	-

★Product specification and availability are subject to change without notice.

►NORDEN® | WALL MOUNT BRACKET FOR BULLET CAMERA - GB.. - Version: 2.1

www.nordencommunication.co