

5MP PTZ DOME CAMERA



ENC-HHP8Z-200R-97

FEATURES

- Starlight Illumination
- 30X Optical Zoom
- Smart IR up to 200 m
- ONVIF Profile (S, G, T, M)
- Triple Stream
- Audio and Alarm Support
- PoE ++, IP67



SPECIFICATION

MODEL	Model No.	ENC-HHP8Z-200R-97
	Type	5MP PTZ DOME CAMERA
CAMERA	Image Sensor	1/2.8" CMOS Progressive 5.0 MegaPixel
	Day / Night	IR Cut Filter with Auto Switch
	Lens Type	Motorized Zoom Lens
	Focal Length	4.5~135 mm (Optional 4.7~141mm Lens)
	Focus	Auto / Semi Auto / Manual
	Iris Type	DC Auto Iris
	Angle of View (H)	64.5° ~ 2.3° (Optional 61.9° ~ 2.5°)
	Angle of View (V)	50.4° ~ 1.7° (Optional 35.5° ~ 1.4°)
	Angle of View (D)	77.1° ~ 2.9° (Optional 71.3° ~ 2.8°)
	Aperture	F1.6 ~ F4.3
	Optical Zoom	30X
	Digital Zoom	16X
	Zoom Speed	<5s
	Shutter	1s ~ 1/100,000s
	Min. Illumination	Color: 0.001 lux @ F1.6, BW: 0 lux with IR
	AGC	Auto / Manual
Digital Noise Reduction	2D / 3D DNR, Auto / Manual	
S/N Ratio	≥60 dB	
Defog	Smart Defog	
WDR	140 dB	
Smart IR	Up to 200 m	
Wavelength	850 nm	

★Product specification and availability are subject to change without notice.

5MP PTZ DOME CAMERA



ENC-HHP8Z-200R-97

MODEL	Model No.	ENC-HHP8Z-200R-97
	Type	5MP PTZ DOME CAMERA
DORI	Lens	4.5~135 mm (Optional 4.7~141 mm Lens)
	Detection	115~3000 m (Optional 110~3100 m)
	Observation	46~1200 m (Optional 44 ~1240 m)
	Recognition	23~600 m (Optional 22 ~620 m)
	Identification	12~300 m (Optional 11 ~310 m)
VIDEO	Max. Resolution	2880x1620
	Video Compression	Enhanced (H.265, H.264), H.265, H.264, MJPEG
	Frame Rate	Main Stream: (2880x1620, 2688x1520, 2560x1440, 2304x1296, 1920x1080, 1280x960, 1280x720) @ 25/30fps Sub Stream: (704x480, 704x240, 640x360, 352x240) @ 30fps, (704x576, 704x288, 640x360, 352x288) @ 25fps Third Stream: (1920x1080, 1280x960, 1280x720, 704x480, 704x240, 640x480, 352x240) @ 30fps, (1920x1080, 1280x960, 1280x720, 704x576, 704x288, 640x480, 352x288) @ 25fps
	Stream Settings	i-Frame, PAL/NTSC, Frame Rate, EIS, SVC
	Video Bit Rate	32 kbps ~ 16 Mbps
	Bitrate Type	CBR, VBR
	Image Settings	Brightness, Contrast, Saturation, Hue, Sharpness, Rotation/Mirror, Gain, Exposure, Day/Night
	White Balance	Auto, Semi Auto, Sunshine, Daylight, Warm Light, Filament, Nature Light, Lock WB, Manual
	HLC	Supported
	BLC	Supported
	OSD	Up to 8 regions
	OSD Type	Title, Week, Date, Time, Text with Different Colors and Adaptable sizes (16x16, 24x24, 32x32, 48x48, 64x64, 96x96), Image overlay
	ROI	Up to 7 regions
	Privacy Mask	Up to 24 regions
	Heatmap	Supported
AUDIO	Audio Compression	G.711A, G.711U, ADPCM_D, AAC_LC
	Audio Bit Rate	8 kbps, 32 kbps, 48 kbps
	Audio I/O	1/1
	Audio Voltage	Audio Input, level 5V, Input Impedance 1500 ohms; Audio output, level 3V, output Impedance 100 ohms
SMART	Behavior Detection	Intrusion (Perimeter), Crossline (Tripwire), Double Crossline (Double Tripwire)
	Intelligent Identification	Loitering, Running, Abandoned Object (Object Left), Missing Object(Object Lost), Parking
	Statistical Analysis	Face Capture, People Counting, Crowd Detection, On Duty Detection, Helmet Detection, Human & Vehicle Classification, Abnormal Video & Audio Detection
	Alarm Management	Motion Detection, Tampering (Masking), Input & Output Event, IP & MAC Address Conflict, Disk Alarm (Full & RW Error), FTP Server Exception, Abnormal Voltage, Pre/Post Alarm Recording, Alarm Recording/Snapshot
	Alarm Notification	E-mail (Notification and Snapshot), HTTP (Alarm Icon), FTP (Snapshot and Recording), SD Card (Recording)
INTERFACE	Auto Tracking	Supported
	Protocols	TCP/IP, UDP, IPv4, IPv6, ICMP, HTTP, HTTPS, FTP, DHCP, DNS, DDNS, RTP, RTCP, RTSP, RTMP, PPPoE, NTP, UPnP, SMTP (SSL/TLS), IGMP, QoS (DSCP), 802.1x, Unicast, Multicast, Telnet, SNMP, ARP, SSL, P2P, SSH, NFS, SMB, CIFS
	Security	AES Video Encryption, IP Filter, User Authentication (multiple privilege level), 802.1X Authentication (EAP-MD5), HTTPS Encryption, Digest Authentication, User Access Log
	Compatibility	ONVIF Profile (S, G, T, M), SDK/API/CGI
	Network	1 x RJ45 10M/100M Self Adaptive Ethernet Port
	Alarm I/O	8 / 2
	Alarm Voltage	Input (switch type) , Output (3.3V-12V, 10 ohm)
	Serial Interface	1 x RS485
	Edge Storage	Built-in Micro SD card slot, up to 512 GB
	ANR	Supported
	Heater	Supported (Optional)
	Fan	Supported
	Cable Interface	Pig Tail
Max. User Access	32	
Client Application	EyeConnect	
Web Language	16	

★Product specification and availability are subject to change without notice.

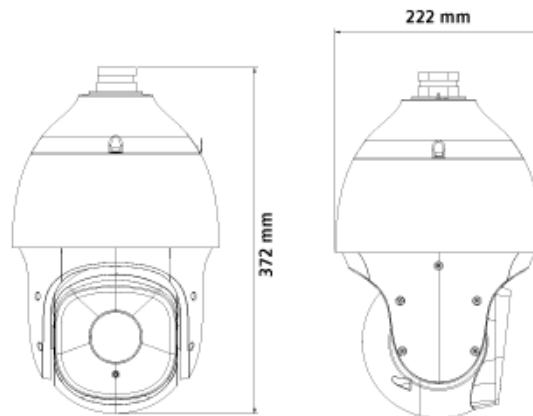
5MP PTZ DOME CAMERA



ENC-HHP8Z-200R-97

MODEL		ENC-HHP8Z-200R-97
Type		5MP PTZ DOME CAMERA
PAN AND TILT	Pan Range	0° ~ 360° (Endless)
	Pan Speed	Pan Manual Speed: 0.1°/s ~ 240°/s, Pan Preset Speed: 300°/s
	Tilt Range	-16° ~ 90° (Auto flip)
	Tilt Speed	Tilt Manual Speed: 0.1°/s ~ 180°/s, Tilt Preset Speed: 240°/s
	Preset Accuracy	±0.4°
	3D Position	Supported
	PTZ Mode	8 Scan, 16 Tour (32 presets per Tour)
	Pattern	8
	Number of Preset	500
	Power off Recovery	Supported
GENERAL	Power Supply	24V AC, PoE++(IEEE802.3bt)
	Max. Power Consumption	≤38 W (IR ON), ≤20 W (IR OFF),
	Working Temperature	-40 °C ~ 70 °C
	Working Humidity	≤95% RH (non-condensing)
	Ingress Protection	IP67
	Vandal Resistant	IK10 (Housing)
	Extra corrosion resistance coating	Supported (Optional)
	Surge Protection	TVS6000V
	Reset Button	Supported
	Dimensions	Φ222×372 mm
Net Weight	5.3 kg	

Dimension Unit : mm



5MP PTZ DOME CAMERA



ENC-HHP8Z-200R-97

ORDERING INFORMATION

Part Number	Description	Standard Quantity
ENC-HHP8Z-200R-97	5MP Starlight IR IP H.265 PTZ Dome Camera with 30X Optical Zoom, PoE++, SD Card Slot, Smart Analytics, WDR and 200m IR Support	1
ENB-BTPW66	Wall Mount Bracket for Norden PTZ Camera (Included in Device Package)	1
ENB-BTPH66	Outer Corner Bracket for Norden PTZ Camera	1
ENB-BTPV66	Pole Mount Bracket for Norden PTZ Camera	1
ENB-BTPD66	Connector for Norden PTZ Camera	1
ENB-BTPJ66	Junction Box for Norden PTZ Camera	1
ENB-BTPP66	Pendant Mount Bracket for Norden PTZ Camera	1

PACKING INFORMATION

Part Number	Packing Mode	Gross weight(Kg)	Dimension(mm)
ENC-HHP8Z-200R-97	Carton Box	8.45	500x310x310