

POLE MOUNT BRACKET FOR DOME CAMERA



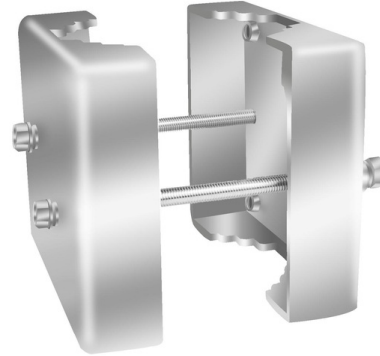
ENB-BZDV68

FEATURES

304 / 316L Stainless Steel Construction

Max. Load Support up to 100Kg

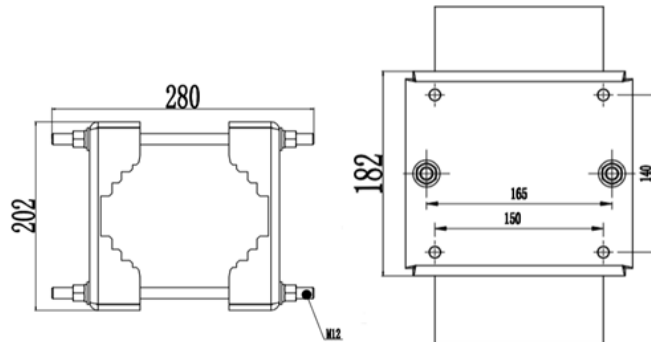
Pole Mount Bracket for Explosion / Corrosion Proof Camera



SPECIFICATION

MODEL	Model No.	ENB-BZDV68
	Type	POLE MOUNT BRACKET FOR DOME CAMERA
GENERAL	Construction	304 / 316L Stainless Steel
	Dimensions	280 x 182 x 202 mm
	Max. Load Support	100 Kg
	Weight	6.6 Kg

Dimension Unit : mm



ORDERING INFORMATION

Part Number	Description	Standard Quantity
ENB-BZDV68	Pole Mount Bracket for Norden Explosion / Corrosion Proof Dome Camera	1

PACKING INFORMATION

Part Number	Packing Mode	Gross weight(Kg)	Dimension(mm)
ENB-BZDV68	Carton Box	7.1	290x290x160

★Product specification and availability are subject to change without notice.