

4MP PTZ DOME CAMERA



ENC-HHP7Z-800L-20

FEATURES

- 40X Optical zoom
- 8x Digital Zoom
- Laser IR up to 800 m
- ONVIF (Profile S, G, T)
- Quad Stream
- Audio & Alarm Support
- PoE++, IK10, IP67



SPECIFICATION

MODEL		ENC-HHP7Z-800L-20
CAMERA	Model No.	ENC-HHP7Z-800L-20
	Type	4MP PTZ DOME CAMERA
	Image sensor	1/1.8" CMOS Progressive 4.0 Megapixel
	Day/Night	IR Cut Filter with Auto Switch
	Lens Type	Motorized Zoom Lens
	Focal Length	5 ~ 200mm (Optional 6 ~ 222mm)
	Focus	Auto/Semi Auto/Manual
	Iris	P Iris Auto / Manual
	Angle of View (H)	71.4° ~ 2.1° (Optional 59.0° ~ 1.9°)
	Angle of View (V)	42.0° ~ 1.2° (Optional 34.1° ~ 1.1°)
	Angle of View (D)	82.8° ~ 2.4° (Optional 67.0° ~ 2.2°)
	Optical Zoom	40x
	Digital Zoom	8x
	Zoom Speed	<5.2s
	Aperture Range	F1.2 ~ F4.6
	Shutter	1s ~ 1/30,000s
	Minimum Illumination	Color: 0.001 lux @ F1.2, B/W: 0.0001 lux, 0 lux with IR
	AGC	Auto / Manual
	Digital Noise reduction	2D & 3D DNR
S/N Ratio	≥52dB	
Defog	Optical Defog	
WDR	120dB	
Laser IR	Up to 800 m	
Wavelength	850 nm	

★Product specification and availability are subject to change without notice.

4MP PTZ DOME CAMERA



ENC-HHP7Z-800L-20

MODEL	Model No.	ENC-HHP7Z-800L-20
	Type	4MP PTZ DOME CAMERA
VIDEO	Max. Resolution	2560x1440
	Video Compression	H.265+, H.265, H.264+, H.264 MJPEG
	Frame Rate	Main Stream: (2560x1440,1920x1080,1280x960,1280x720) @25/30fps Sub Stream: (704x480, 640x480, 352x240) @ 30fps, (704x576, 640x480, 352x288) @ 25fps Third Stream: (1920x1080, 1280x960, 1280x720, 704x480, 640x480, 352x240) @30fps, (1920x1080, 1280x960, 1280x720, 704x576, 640x480, 352x288) @25fps Fourth Stream: (1920x1080, 1280x960, 1280x720, 704x480, 640x480, 352x240) @30fps, (1920x1080, 1280x960, 1280x720, 704x576, 640x480, 352x288) @25fps (Optional)
	Stream Settings	i-Frame, PAL / NTSC, Frame Rate
	Video Bit Rate	32 kbps ~ 16 Mbps
	Bitrate Type	CBR, VBR
	Image Settings	Brightness, Contrast, Hue, Saturation, Day / Night, Flip / Mirror
	White Balance	Auto, Manual, Indoor, Outdoor
	HLC	Supported
	BLC	Supported
	OSD	Up to 8regions
	OSD Type	Title, Week, Date, Time, Text with different colors and adaptable sizes (16x16, 24x24, 32x32, 48x48, 64x64, 96x96, 128x128), Image overlay
	ROI	Up to 4 regions
	Privacy Mask	Up to 24 regions (each scene up to 8)
AUDIO	Audio Compression	G.711U, G.711A
	Audio Bit Rate	64 kbps
	Audio I/O	1/1
	Audio Voltage	Audio input, level 2~2.4V, input impedance 1000 ohms; Audio output impedance 600 ohms
	Two-way Audio	Supported
SMART	Behavior Detection	Intrusion(Perimeter), Cross line (Tripwire)
	Intelligent Identification	Abandoned object(Object Left) , Missing object (Object Lost), Region Entry / Exit detection
	Statistical Analysis	Face Detection, Human & Vehicle Detection, Abnormal Audio Detection
	General Function	Motion Detection, Tampering (Masking), Input & Output Event, IP & MAC Address Conflict, Disk Alarm (Full & RW Error), FTP Server Exception
	Auto Tracking	Supported
INTERFACE	Protocols	TCP/IP, UDP, IPv6, IPv4, HTTP, HTTPS, DHCP, DNS, DDNS, RTP, RTSP, RTCP, PPPoE, UPnP, FTP, NTP, SMTP, IGMP, ICMP, 802.1x, QoS, SNMP, RTMP
	Security	AES 128/256 Encryption, IP Filter, User Authentication (Multiple Privilege Level), 802.1X Authentication , HTTPS Authentication, RTSP Authentication, Digest Authentication, User Access Log
	Compatibility	ONVIF (Profile S, G, T), SDK, API
	Network	1 x RJ45 10M/100M self adaptive Ethernet port
	Serial Interface	1xRS485
	BNC	Supported
	Edge Storage	SD card Slot, up to 256GB
	ANR	Supported
	Alarm I/O	7/2
	Heater	Supported
	Fan	Supported
Wiper	Supported	
	Max. User	16

★Product specification and availability are subject to change without notice.

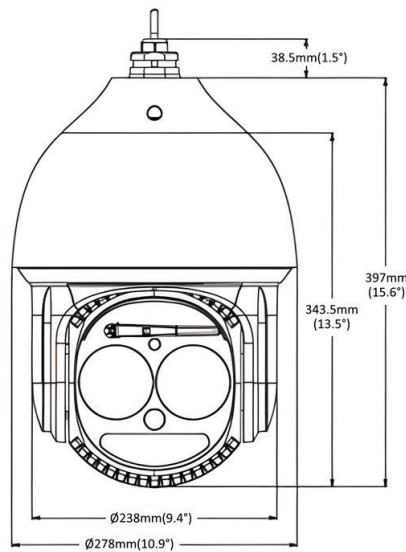
4MP PTZ DOME CAMERA



ENC-HHP7Z-800L-20

MODEL		ENC-HHP7Z-800L-20
Type		4MP PTZ DOME CAMERA
PAN AND TILT	Pan Range	0° ~ 360° (Endless)
	Pan Speed	Pan Manual Speed: 0.1°~ 180°/s, Pan Preset Speed: 240°/s
	Tilt Range	-25° ~ +155° (Auto Flip at 90°)
	Tilt Speed	Tilt Manual Speed: 0.1°~ 150°/s, Tilt Preset Speed: 180°/s
	Preset Accuracy	±0.5°
	Number of Preset	360
	Power off Recovery	Supported
	3D Positioning	Supported
	PTZ Mode	4 Traces, 8 Cruise, (up to 16 Presets for each cruise)
	Idle Motion	Activate Preset/ Scan/Tour/Pattern if there is no command in the specified period
GENERAL	Power	DC 36V, PoE++(802.3bt)
	Max. Power consumption	72W
	Working Environment	-40°C ~ 70°C
	Working Humidity	≤95% RH(Non-condensing)
	Ingress Protection	IP67
	Vandal Resistant	IK10
	Surge Protection	TVS6000V
	Reset Button	Supported
	Dimension	Φ 278x435.5 mm
	Weight	8.8 kg

Dimension Unit : mm



ORDERING INFORMATION

Part Number	Description	Standard Quantity
ENC-HHP7Z-800L-20	4MP IP H.265 High Speed PTZ Dome Camera with 40X Optical zoom, Micro SD card slot, WDR, Smart analytics, Built in Wiper and 800m Laser Illuminator support	1

★Product specification and availability are subject to change without notice.

4MP PTZ DOME CAMERA



ENC-HHP7Z-800L-20

PACKING INFORMATION

Part Number	Packing Mode	Gross weight(Kg)	Dimension(mm)
ENC-HHP7Z-800L-20	Carton Box	-	-