

Table Embedded Chairman Voting Unit



DESCRIPTION

The NVS-DC600136VU Embedded Chairman Voting Unit is a sophisticated conference system voting unit. It features sensitive buttons for easy operation and an elegant, space-saving design. Notably, it offers robust anti-interference capabilities. Additionally, it seamlessly integrates with the NVS-DC600013CH series of conference systems, creating a comprehensive solution for high-quality conference setups.

FEATURES

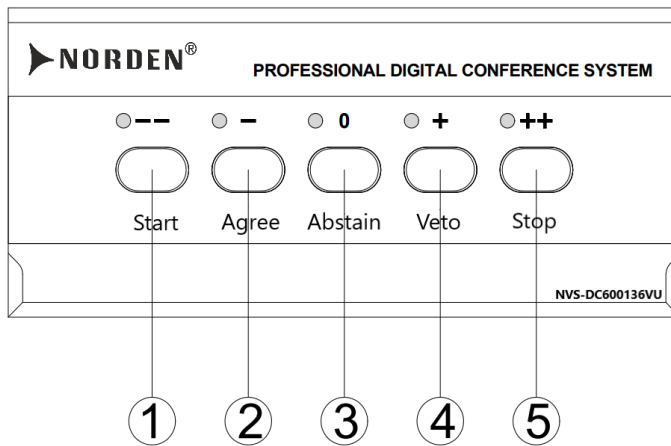
- ◉ An entirely voting conference unit
- ◉ Elegant and space-saving embedded design
- ◉ With sign-in button function
- ◉ Chairman Mic including start and stop voting buttons, priority features, and voting
- ◉ With a unique ID for each conference unit
- ◉ Support cascaded linkage, T shape linkage or + shape linkage
- ◉ DC 24V working power supply from the host/extender
- ◉ Connect with microphone units via NVS-DC600157JB

Specifications

Model	NVS-DC600136VU
Stand-by Power Consumption	<1W
Max Power Consumption	2W
Interface Type	8-pin DIN
Power Supply	DC 24V
Dimensions	130x45mm
Net Weight	0.55kg

Table Embedded Chairman Voting Unit

FRONT PANEL



- 1. "- -" Button
- 2. "-" Button
- 3. "0" Button
- 4. "+" Button
- 5. "+ +" Button

REAR PANEL

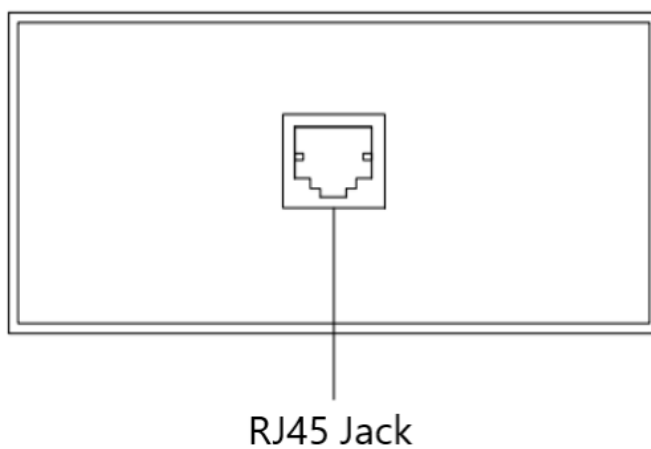
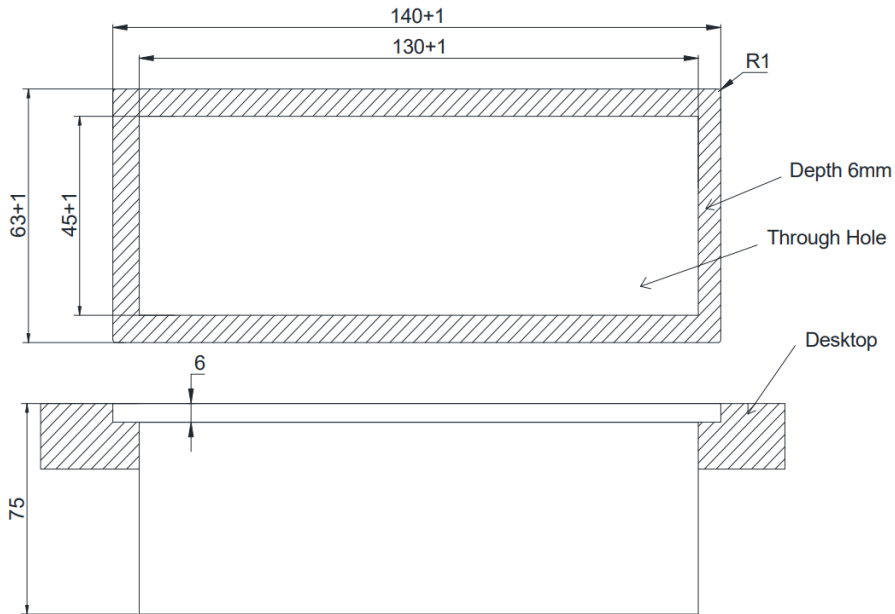


Table Embedded Chairman Voting Unit

DIMENSION



NVS-DC600136VU Mounting Hole Size Drawing

ORDERING INFORMATION

Part Number	Description	Standard Quantity
NVS-DC600136VU	Table Embedded Chairman Voting Unit	1

ACCESSORIES INFORMATION

Description	Standard Quantity
8-pin Network Cable	1
Chassis Accessory	4
Butterfly-shaped Screw	8
Cross Recessed Half-round Head Screw Bright Black	8
User Manual	1